

4

3

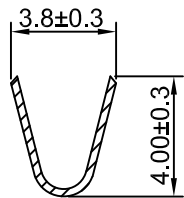
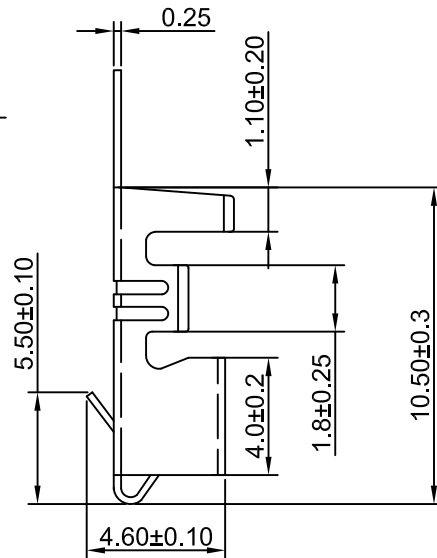
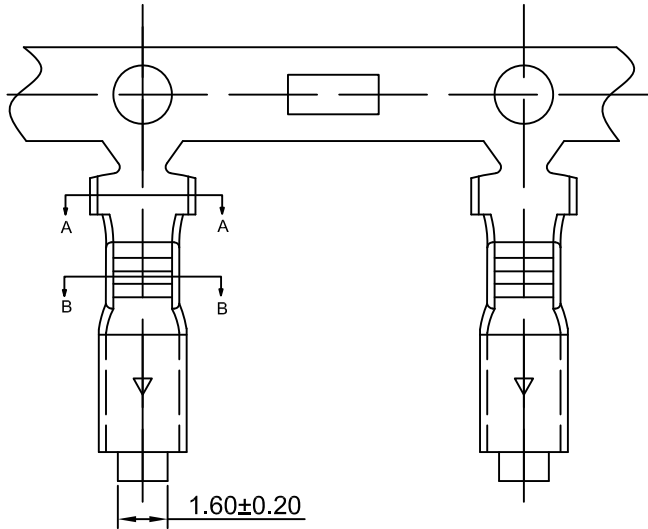
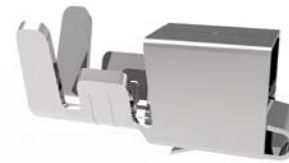
2

1

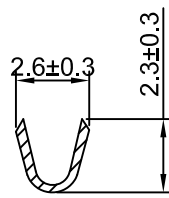
CROWN LINK®

專業薄膜開關連接器第一品牌

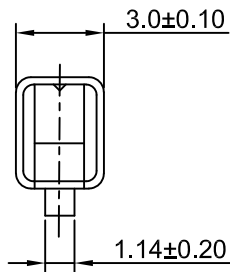
ROHS



A-A SECTION



B-B SECTION



0T:PLATED TIN

◆ FOR 3961HL SERIES HOUSING

◆ SPECIFICATIONS

VOLTAGE RATING: 250V AC,DC

CURRENT RATING: 7A AC,DC

WITHSTANDING VOLTAGE: 1500V AC / MINUTE

INSULATION RESISTANCE: 1000 MΩ MIN

CONTACT RESISTANCE: 20mΩ MAX

TEMPERATURE RANGE: -25°C~+85°C

◆ APPLICABLE WIRE: AWG16#~22#

◆ PART NO.

3961 - 03K - 0T - F H



OTHER PLATINGS ON REQUEST

A

				X. ±0.50 X.° ±3° .X ±0.30 .X° ±2° .XX ±0.20 .XX° ±1° .XXX ±0.10 .XXX° ±0.5°
REV/版本	MODIFIED CONTENT /變更內容	DRAWN/繪圖	DATE/日期	
TOLERANCE RANGE/公差範圍				

DRAWN/繪圖 JUDY	DATE/日期 2024.04.19	CROWN LINK® THE LEADING MANUFACTURER OF FPC & FFC CONNECTOR, HOUSING AND DOME.			
CHECK BY/審查 VIVIAN	DATE/日期 2024.04.19	PRODUCT NAME/品名 3.96mm PITCH FFC/FPC CONNECTOR			
APPROVED BY/核准 JASON	DATE/日期 2024.04.19	PART NO./料號 3961-03K-0T-FH	SCALE/比例 4:1	SIZE/圖號 A4	UNIT/單位 mm
PACKAGE/包裝	3,000PCS/REEL	MATERIAL/材質 PHOSPHOR BRONZE	ANGLE OF VIEW/視角 	SHEET/頁碼 1 OF 1	REV/版本 A

A