

4

3

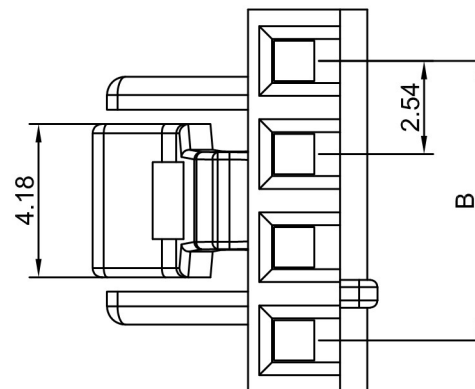
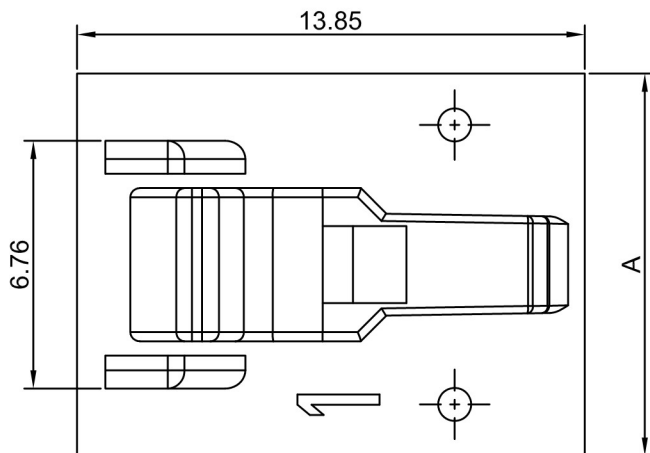
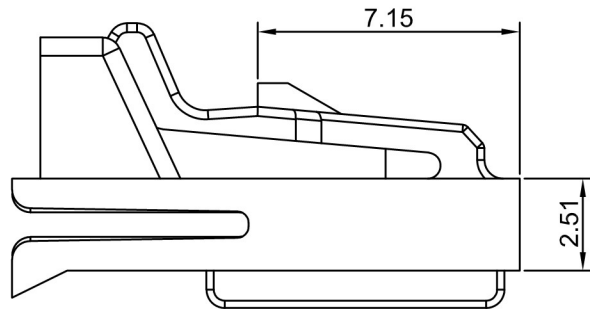
2

1

# CROWN LINK<sup>®</sup>

專業薄膜開關連接器第一品牌

RoHS



- ◆ FOR 2806S-15K-0G-FA SERIES CONNECTOR
- ◆ SPECIFICATIONS
  - VOLTAGE RATING: 250 VAC RMS
  - CURRENT RATING: 2A
  - INSULATION RESISTANCE: 500 MΩ MIN
- ◆ ENVIRONMENTAL
  - TEMPERATURE RANGE: -25°C~+85°C
- ◆ DIMENSION: N=CIRCUIT NO.
  - A=(2.54\*N)+0.27
  - B=2.54\*(N-1)

◆ PART NO.  
 2806HLS - XXN

SERIES NO. NO LOGO.

CIRCUITS NUMBER 04 \05\08

				一般公差 ± 0.2
A	FIRST DRAWING	ANNIE	2014.07.19	
REV/版本	MODIFIED CONTENT /變更內容	DRAWN/繪圖	DATE/日期	TOLERANCE RANGE/公差範圍

DRAWN/繪圖	DATE/日期	<b>CROWN LINK<sup>®</sup> THE LEADING MANUFACTURER OF FPC &amp; FFC CONNECTOR, HOUSING AND DOME.</b>						
MARY	2018.04.17	PRODUCT NAME/品名						
CHECK BY/審查	DATE/日期	2.54mm PITCH HOUSING FOR FFC/FPC						
VIVIAN	2018.04.17	PART NO./料號	PIN NUMBER/針數	SCALE/比例	SIZE/圖號	UNIT/單位		
APPROVED BY/核准	DATE/日期	2806HLS-XXN	04 \05\08 PIN	5:1	A4	mm		
JASON	2018.04.17	MATERIAL/材質	COLOR/顏色	ANGLE OF VIEW/視角	SHEET/頁碼	REV/版本		
PACKAGE/包裝		500 PCS/BAG	NY66	BLACK COLOR	1 OF 1	A		

D

D

C

C

B

B

A

A