

4

3

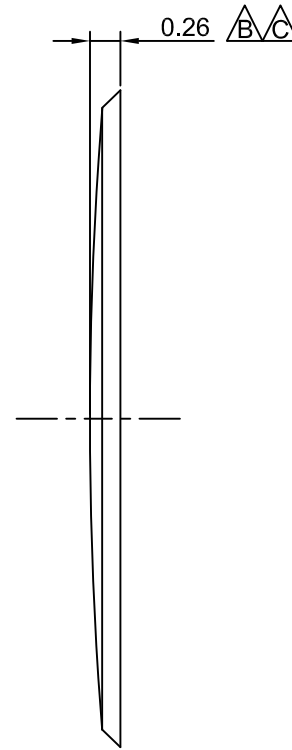
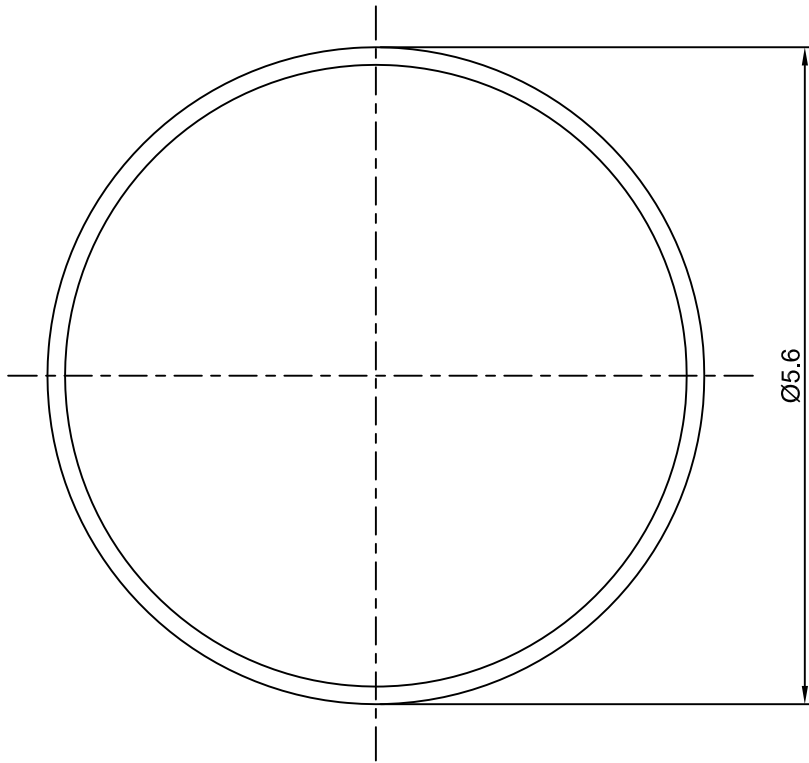
2

1

CROWN LINK[®]

專業薄膜開關連接器第一品牌

ROHS



- ◆ SPECIFICATIONS
 - TRIP FORCE: 200 ± 30 g
 - CLICK RATIO: MIN 20 %
- ◆ TESTING CONDITIONS
 - FORCE TEST PROBE: HARD POINTED
 - LIFE TEST PROBE: RB 60° SILICON ROUND HEAD
 - LIFE TEST FORCE: 255 g
 - LIFE TEST SPEED: 180 CYCLE / MIN
 - BURR: MAX 0.05 MM
 - UNLESS OTHERWISE SPECIFIED TESTING METHOD ACCORDING TO CROWNLINK STANDARD PROCEDURE

| | | | |
|--------|--|----------|------------|
| C | NEW DRAWING FORMAT & CORRECT DOME HEIGHT | ANNIE | 2013.08.27 |
| B | REVISE DOME HEIGHT | ANNIE | 2012.05.16 |
| A | FIRST DRAWING | ANNIE | 2011.04.03 |
| REV/版本 | MODIFIED CONTENT /變更內容 | DRAWN/繪圖 | DATE/日期 |

X.XX ±0.10
TOLERANCE RANGE/公差範圍

| | | | | | | |
|-------------------------|-----------------------|--|-------------------------|----------------------|--------------------|---------------|
| DRAWN/繪圖 ANNIE | DATE/日期 2013.08.27 | CROWN LINK[®] THE LEADING MANUFACTURER OF FPC & FFC CONNECTOR, HOUSING AND DOME. | | | | |
| CHECK BY/審查 VIVIAN | DATE/日期 2013.08.27 | PRODUCT NAME/品名 METAL DOME | | | | |
| APPROVED BY/核准 JASON | DATE/日期 2013.08.27 | PART NO./料號 CL5.6-RSN-200T | THICKNESS/厚度 0.06 mm | SCALE/比例 16:1 | SIZE/圖號 A4 | UNIT/單位 mm |
| PACKAGE/包裝 | 10,000PCS/BAG | MATERIAL/材質 STAINLESS STEEL SUS 304 | | ANGLE OF VIEW/視角 | SHEET/頁碼 1 OF 1 | REV/版本 C |

D

D

C

C

B

B

A

A