

4

3

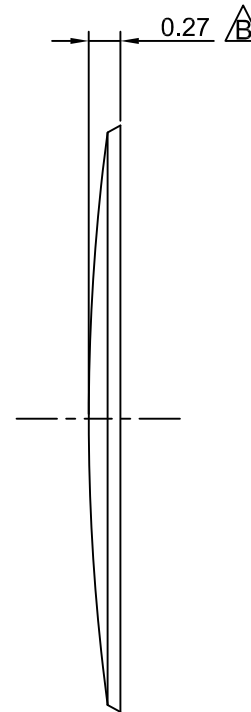
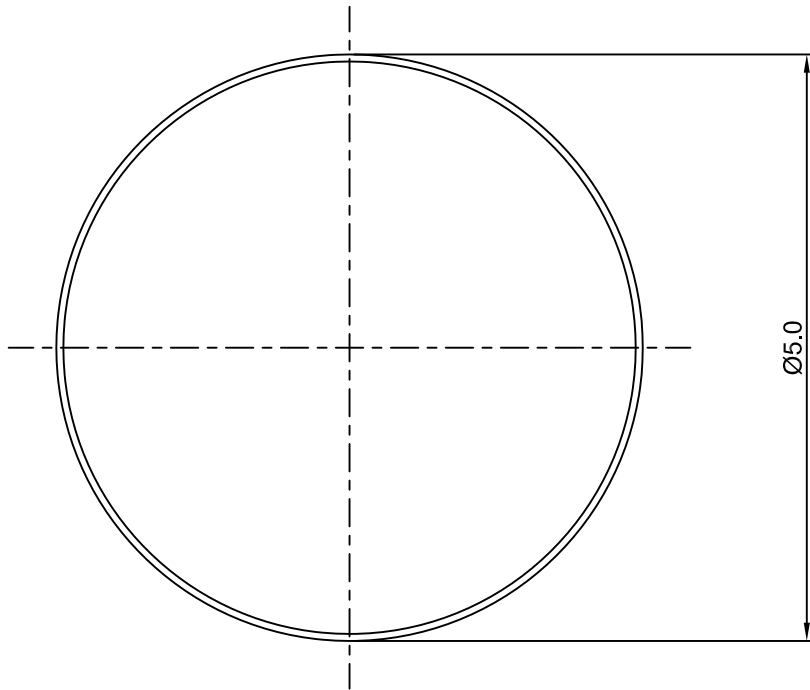
2

1

CROWN LINK[®]

專業薄膜開關連接器第一品牌

ROHS



◆ SPECIFICATIONS

TRIP FORCE: 280 ± 30 g

CLICK RATIO: MIN 30 %

◆ TESTING CONDITIONS

FORCE TEST PROBE: HARD POINTED

LIFE TEST PROBE: RB 60° SILICON ROUND HEAD

LIFE TEST FORCE: 340 g

LIFE TEST SPEED: 180 CYCLE / MIN

BURR: MAX 0.05 MM

UNLESS OTHERWISE SPECIFIED TESTING METHOD
ACCORDING TO CROWNLINK STANDARD PROCEDURE

D	ADD CONTACT LIFE SPECIFICATION	TRACY	2013.12.22	X.XX ±0.10	DRAWN/繪圖	DATE/日期	CROWN LINK[®] THE LEADING MANUFACTURER OF FPC & FFC CONNECTOR, HOUSING AND DOME.				
C	NEW DRAWING FORMAT	ANNIE	2013.08.20		CHECK BY/審查	DATE/日期	PRODUCT NAME/品名				
B	CONVERT TO NEW DRAWING & REVISE DOME HEIGHT	ANNIE	2005.02.25		VIVIAN	2013.12.22	METAL DOME				
A	FIRST DRAWING	ANNIE	2004.02.20		APPROVED BY/核准	DATE/日期	PART NO./料號	THICKNESS/厚度	SCALE/比例	SIZE/圖號	UNIT/單位
REV/版本	MODIFIED CONTENT /變更內容	DRAWN/繪圖	DATE/日期		JASON	2013.12.22	CL5-RSN-280T	0.06 mm	16:1	A4	mm
TOLERANCE RANGE/公差範圍					PACKAGE/包裝	10,000PCS/BAG	MATERIAL/材質	ANGLE OF VIEW/視角	SHEET/頁碼	REV/版本	
							STAINLESS STEEL SUS 304		1 OF 1	D	