

4

3

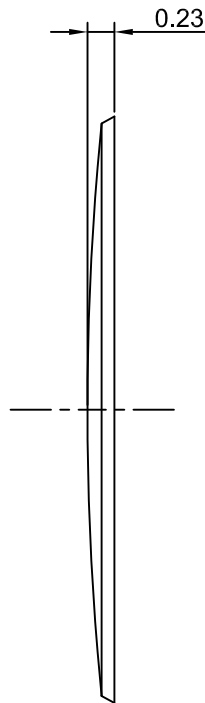
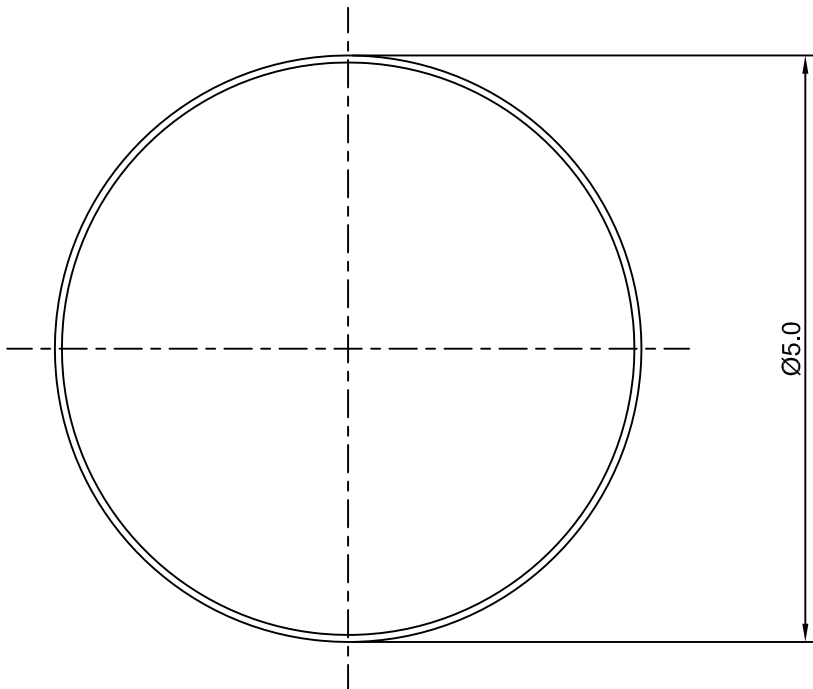
2

1

# CROWN LINK<sup>®</sup>

專業薄膜開關連接器第一品牌

ROHS



◆ SPECIFICATIONS

TRIP FORCE: 200 ± 30 g  
CLICK RATIO: MIN 35 %

◆ TESTING CONDITIONS

FORCE TEST PROBE: HARD POINTED  
LIFE TEST PROBE: RB 60° SILICON ROUND HEAD  
LIFE TEST FORCE: 255 g  
LIFE TEST SPEED: 180 CYCLE / MIN  
BURR: MAX 0.05 MM  
UNLESS OTHERWISE SPECIFIED TESTING METHOD  
ACCORDING TO CROWNLINK STANDARD PROCEDURE

D	ADD CONTACT LIFE SPECIFICATION	ANNIE	2013.08.20
C	NEW DRAWING FORMAT	ANNIE	2005.02.25
A	FIRST DRAWING	ANNIE	2004.02.20
REV/版本	MODIFIED CONTENT /變更內容	DRAWN/繪圖	DATE/日期

X.XX ±0.10  
TOLERANCE RANGE/公差範圍

DRAWN/繪圖	DATE/日期	<b>CROWN LINK<sup>®</sup> THE LEADING MANUFACTURER OF FPC &amp; FFC CONNECTOR, HOUSING AND DOME.</b>				
ANNIE	2013.08.20	PRODUCT NAME/品名 METAL DOME				
CHECK BY/審查	DATE/日期	PART NO./料號	THICKNESS/厚度	SCALE/比例	SIZE/圖號	UNIT/單位
VIVIAN	2013.08.20	CL5-RSN-200T	0.06 mm	16:1	A4	mm
APPROVED BY/核准	DATE/日期	MATERIAL/材質		ANGLE OF VIEW/視角	SHEET/頁碼	REV/版本
JASON	2013.08.20	STAINLESS STEEL SUS 304		1 OF 1	1 OF 1	D
PACKAGE/包裝	10,000PCS/BAG					

D

D

C

C

B

B

A

A