

4

3

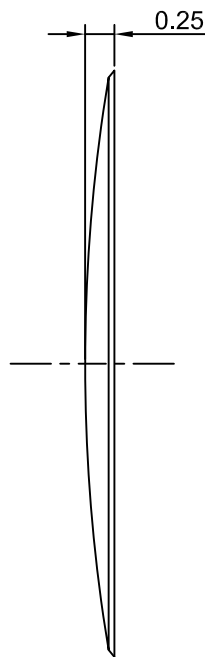
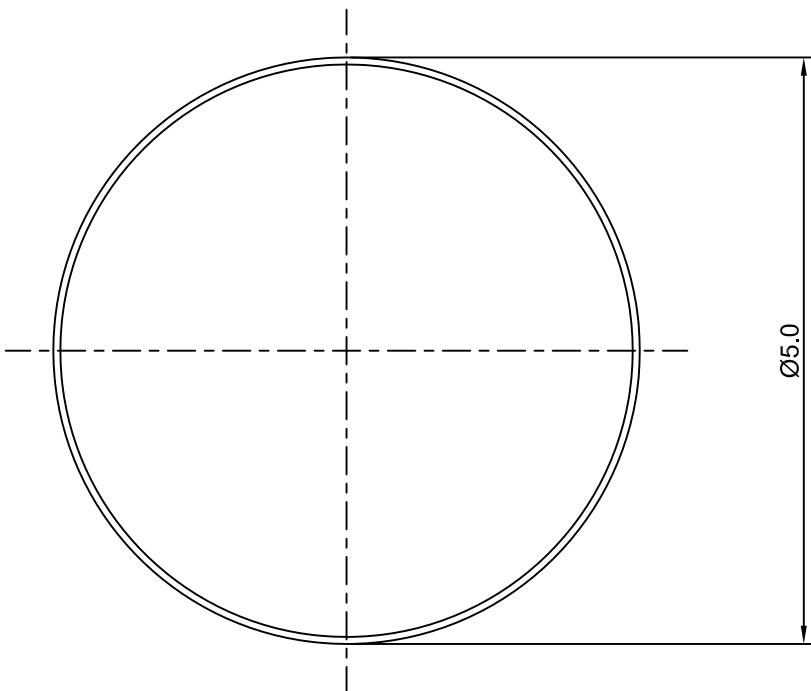
2

1

CROWN LINK®

專業薄膜開關連接器第一品牌

ROHS



◆ SPECIFICATIONS

TRIP FORCE: 250 ± 30 g

CLICK RATIO: MIN 35 %

◆ TESTING CONDITIONS

FORCE TEST PROBE: HARD POINTED

LIFE TEST PROBE: RB 60° SILICON ROUND HEAD

LIFE TEST FORCE: 310 g

LIFE TEST SPEED: 180 CYCLE / MIN

BURR: MAX 0.05 MM

UNLESS OTHERWISE SPECIFIED TESTING METHOD

ACCORDING TO CROWNLINK STANDARD PROCEDURE

				X.XX ±0.10
A	FIRST DRAWING	ANNIE	2012.09.15	
REV/版本	MODIFIED CONTENT /變更內容	DRAWN/繪圖	DATE/日期	
TOLERANCE RANGE/公差範圍				

DRAWN/繪圖	DATE/日期	CROWN LINK® THE LEADING MANUFACTURER OF FPC & FFC CONNECTOR, HOUSING AND DOME.					
ANNIE	2012.09.15	PRODUCT NAME/品名					
CHECK BY/審查	DATE/日期	METAL DOME					
VIVIAN	2012.09.15	PART NO./料號	THICKNESS/厚度	SCALE/比例	SIZE/圖號	UNIT/單位	
APPROVED BY/核准	DATE/日期	CL5-RNN-250T	0.06 mm	16:1	A4	mm	
JASON	2012.09.15	PACKAGE/包裝		MATERIAL/材質	ANGLE OF VIEW/視角	SHEET/頁碼	REV/版本
		10,000PCS/BAG	DOUBLE SIDE NICKEL PLATED	STAINLESS STEEL SUS 304	1 OF 1	A	

