

4

3

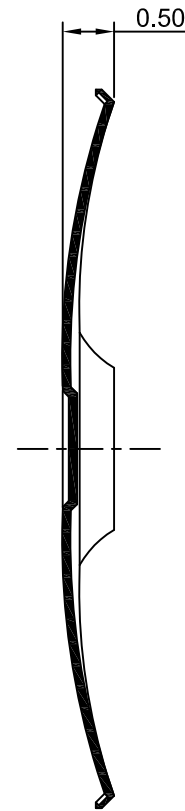
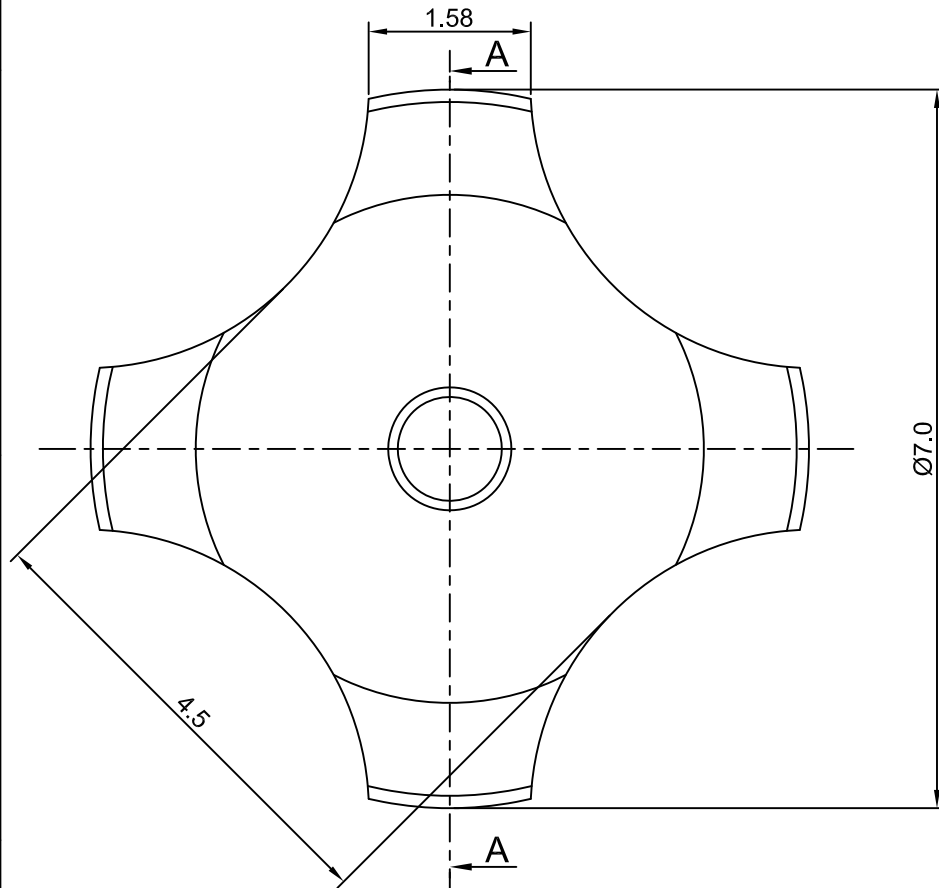
2

1

CROWN LINK[®]

專業薄膜開關連接器第一品牌

ROHS



SECTION A - A



◆ SPECIFICATIONS

TRIP FORCE: 400 ± 30 g
CLICK RATIO: MIN 30 %

◆ TESTING CONDITIONS

FORCE TEST PROBE: HARD POINTED
LIFE TEST PROBE: RB 60° SILICON ROUND HEAD
LIFE TEST FORCE: 475 g
LIFE TEST SPEED: 180 CYCLE / MIN
BURR: MAX 0.05 MM
UNLESS OTHERWISE SPECIFIED TESTING METHOD
ACCORDING TO CROWNLINK STANDARD PROCEDURE

				X.XX ±0.10
A	FIRST DRAWING	ANNIE	2012.11.12	
REV/版本	MODIFIED CONTENT /變更內容	DRAWN/繪圖	DATE/日期	
				TOLERANCE RANGE/公差範圍

DRAWN/繪圖	DATE/日期	CROWN LINK[®] THE LEADING MANUFACTURER OF FPC & FFC CONNECTOR, HOUSING AND DOME.				
CHECK BY/審查	DATE/日期	PRODUCT NAME/品名				
APPROVED BY/核准	DATE/日期	METAL DOME				
PACKAGE/包裝	DATE/日期	PART NO./料號	THICKNESS/厚度	SCALE/比例	SIZE/圖號	UNIT/單位
		CL7-QSD-400T	0.08 mm	14:1	A4	mm
		MATERIAL/材質		ANGLE OF VIEW/視角	SHEET/頁碼	REV/版本
		10,000PCS/BAG		STAINLESS STEEL SUS 304	1 OF 1	A

D

D

C

C

B

B

A

A