

4

3

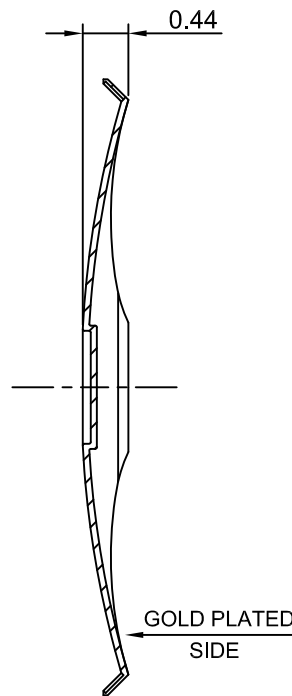
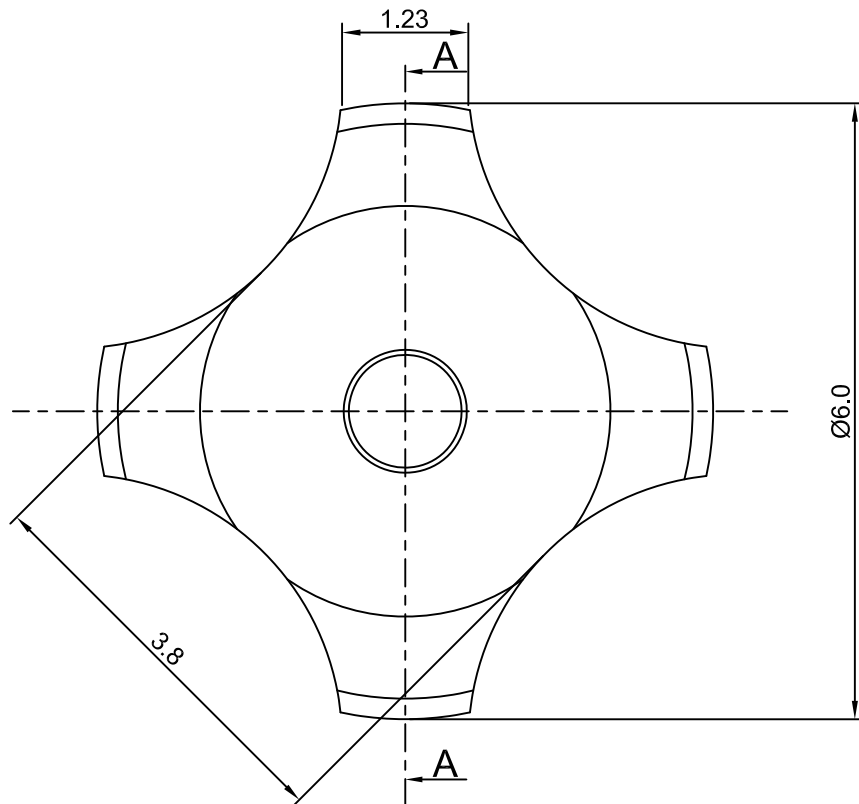
2

1

# CROWN LINK<sup>®</sup>

專業薄膜開關連接器第一品牌

ROHS



SECTION A-A



◆ SPECIFICATIONS

TRIP FORCE: 180 ± 30 g

CLICK RATIO: MIN 35 %

◆ TESTING CONDITIONS

FORCE TEST PROBE: HARD POINTED

LIFE TEST PROBE: RB 60° SILICON ROUND HEAD

LIFE TEST FORCE: 230 g

LIFE TEST SPEED: 180 CYCLE / MIN

BURR: MAX 0.05 MM

UNLESS OTHERWISE SPECIFIED TESTING METHOD

ACCORDING TO CROWNLINK STANDARD PROCEDURE

				X.XX ±0.10
B	NEW DRAWING FORMAT	ANNIE	2012.11.01	
A	FIRST DRAWING	ANNIE	2005.10.05	
REV/版本	MODIFIED CONTENT /變更內容	DRAWN/繪圖	DATE/日期	
				TOLERANCE RANGE/公差範圍

DRAWN/繪圖	DATE/日期	<b>CROWN LINK<sup>®</sup> THE LEADING MANUFACTURER OF FPC &amp; FFC CONNECTOR, HOUSING AND DOME.</b>				
ANNIE	2012.11.01	PRODUCT NAME/品名 METAL DOME				
CHECK BY/審查	DATE/日期	PART NO./料號	THICKNESS/厚度	SCALE/比例	SIZE/圖號	UNIT/單位
VIVIAN	2012.11.01	CL6-QGD-180T	0.06 mm	14:1	A4	mm
APPROVED BY/核准	DATE/日期	MATERIAL/材質		ANGLE OF VIEW/視角	SHEET/頁碼	REV/版本
JASON	2012.11.01	SINGLE SIDE GOLD PLATED		1 OF 1	1 OF 1	B
PACKAGE/包裝	10,000PCS/BAG	STAINLESS STEEL SUS 304				