

4

3

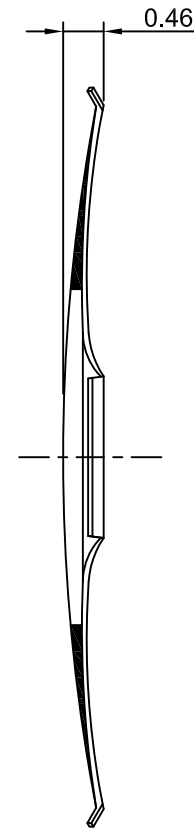
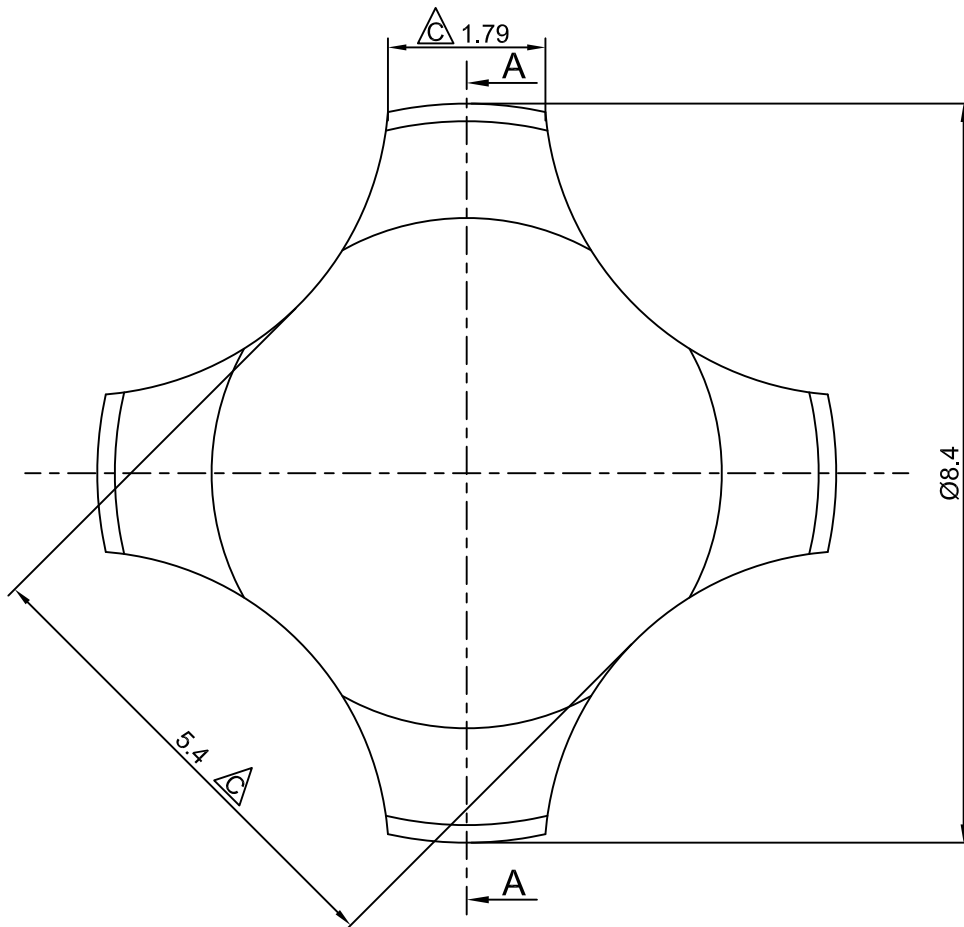
2

1

CROWN LINK[®]

專業薄膜開關連接器第一品牌

ROHS



◆ SPECIFICATIONS

TRIP FORCE: 260 ± 30 g

CLICK RATIO: MIN 50 %

◆ TESTING CONDITIONS

FORCE TEST PROBE: HARD POINTED

LIFE TEST PROBE: RB 60° SILICON ROUND HEAD

LIFE TEST FORCE: 320 g

LIFE TEST SPEED: 180 CYCLE / MIN

BURR: MAX 0.05 MM

UNLESS OTHERWISE SPECIFIED TESTING METHOD

ACCORDING TO CROWNLINK STANDARD PROCEDURE

SECTION A - A

C	COMBINE NOTES & TESTING CRITERIA WITH NEW DRAWING FORMAT, CORRECT LEG WIDTH & BODY WIDTH	ANNIE	2013.03.02	X.XX ±0.10
B	ADD NOTES & LIFE TEST CRITERIA	ANNIE	2012.11.05	
A	FIRST RELEASE	ANNIE	2011.06.01	
REV/版本	MODIFIED CONTENT /變更內容	DRAWN/繪圖	DATE/日期	

DRAWN/繪圖	DATE/日期	CROWN LINK[®] THE LEADING MANUFACTURER OF FPC & FFC CONNECTOR, HOUSING AND DOME.				
ANNIE	2013.03.02	PRODUCT NAME/品名				
CHECK BY/審查	DATE/日期	METAL DOME				
VIVIAN	2013.03.02	PART NO./料號	THICKNESS/厚度	SCALE/比例	SIZE/圖號	UNIT/單位
APPROVED BY/核准	DATE/日期	CL8.4-QSN-260T	0.08 mm	12:1	A4	mm
JASON	2013.03.02	MATERIAL/材質	ANGLE OF VIEW/視角		SHEET/頁碼	REV/版本
PACKAGE/包裝	10,000PCS/BAG	STAINLESS STEEL SUS 304	120°		1 OF 1	C

D

D

C

C

B

B

A

A