

4

3

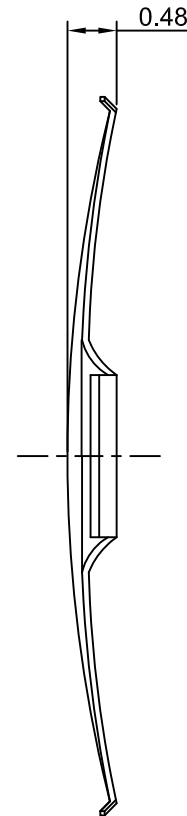
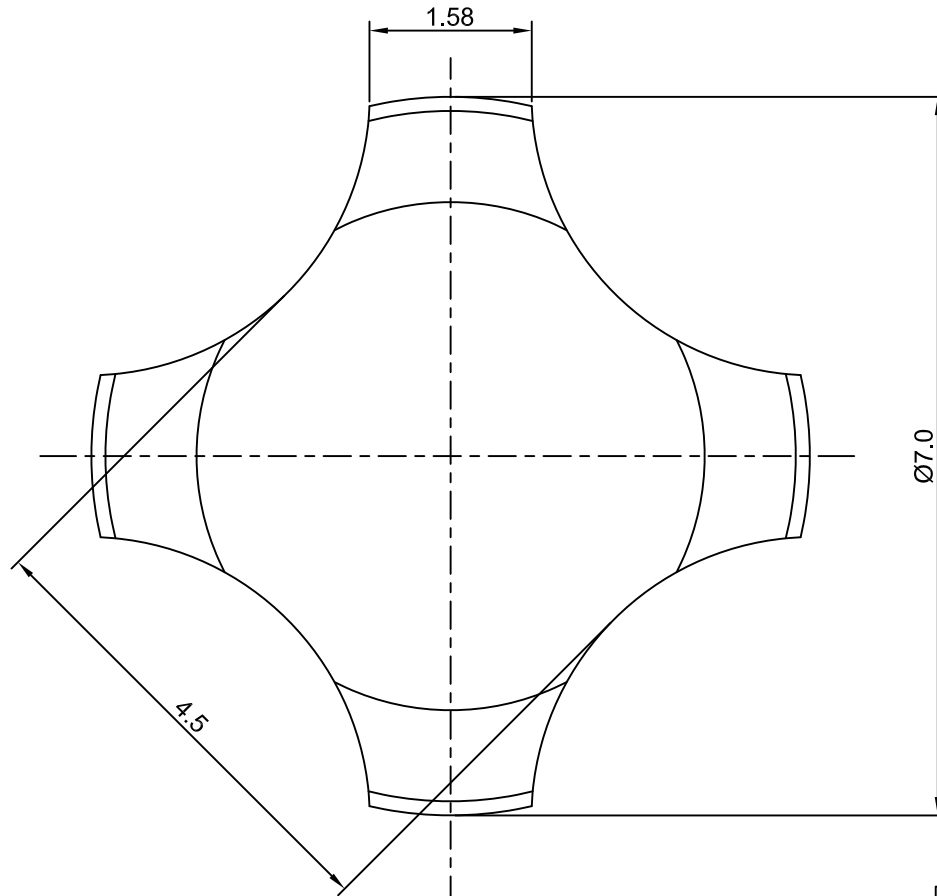
2

1

CROWN LINK[®]

專業薄膜開關連接器第一品牌

ROHS



◆ SPECIFICATIONS

TRIP FORCE: 320 ± 30 g

CLICK RATIO: MIN 40 %

◆ TESTING CONDITIONS

FORCE TEST PROBE: HARD POINTED

LIFE TEST PROBE: RB 60° SILICON ROUND HEAD

LIFE TEST FORCE: 385 g

LIFE TEST SPEED: 180 CYCLE / MIN

BURR: MAX 0.05 MM

UNLESS OTHERWISE SPECIFIED TESTING METHOD

ACCORDING TO CROWNLINK STANDARD PROCEDURE

				X.XX ±0.10 TOLERANCE RANGE/公差範圍
A	FIRST DRAWING	ANNIE	2011.10.15	
REV/版本	MODIFIED CONTENT /變更內容	DRAWN/繪圖	DATE/日期	

DRAWN/繪圖 ANNIE	DATE/日期 2013.02.28	CROWN LINK[®] THE LEADING MANUFACTURER OF FPC & FFC CONNECTOR, HOUSING AND DOME.				
CHECK BY/審查 VIVIAN	DATE/日期 2013.02.28	PRODUCT NAME/品名 METAL DOME				
APPROVED BY/核准 JASON	DATE/日期 2013.02.28	PART NO./料號 CL7-QSN-320T	THICKNESS/厚度 0.08 mm	SCALE/比例 14:1	SIZE/圖號 A4	UNIT/單位 mm
PACKAGE/包裝	10,000PCS/BAG	MATERIAL/材質 STAINLESS STEEL SUS 304		ANGLE OF VIEW/視角 	SHEET/頁碼 1 OF 1	REV/版本 A