

4

3

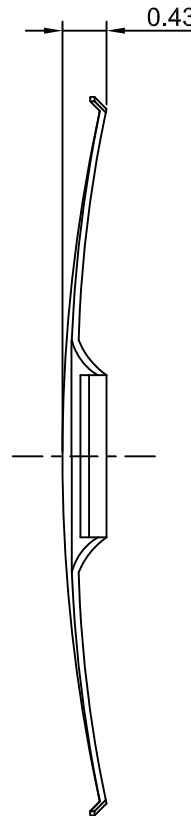
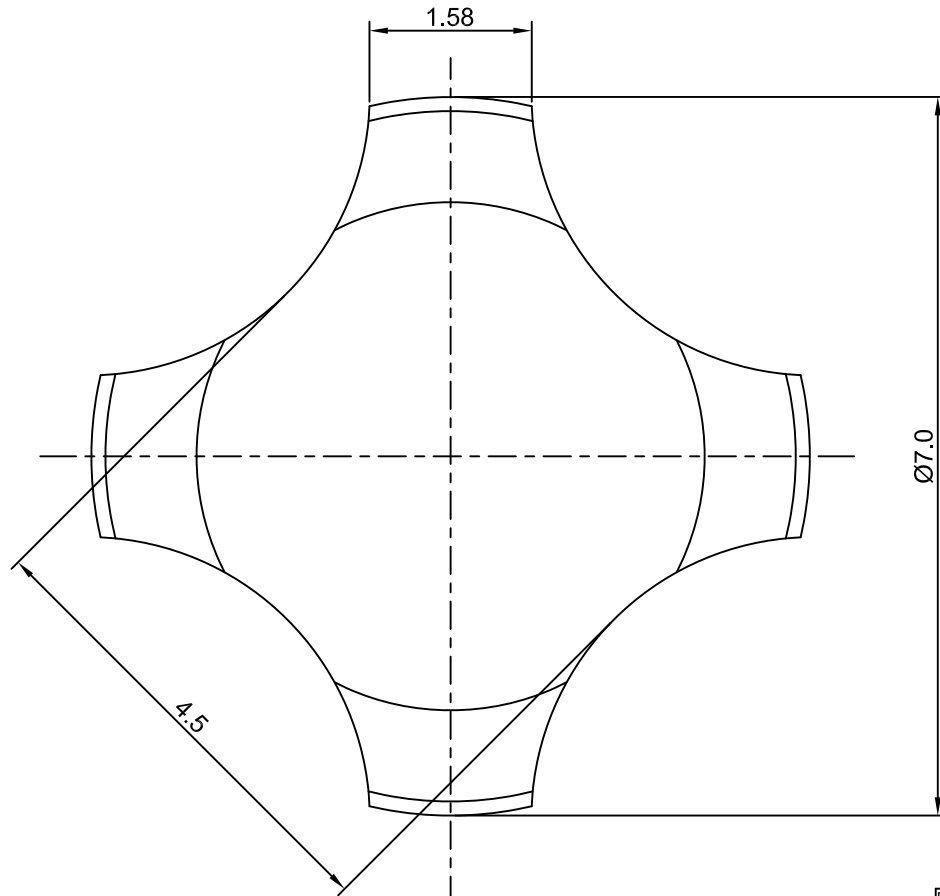
2

1

# CROWN LINK®

專業薄膜開關連接器第一品牌

ROHS



### ◆ SPECIFICATIONS

TRIP FORCE: 250 ± 30 g

CLICK RATIO: MIN 45 %

### ◆ TESTING CONDITIONS

FORCE TEST PROBE: HARD POINTED

LIFE TEST PROBE: RB 60° SILICON ROUND HEAD

LIFE TEST FORCE: 310 g

LIFE TEST SPEED: 180 CYCLE / MIN

BURR: MAX 0.05 MM

UNLESS OTHERWISE SPECIFIED TESTING METHOD

ACCORDING TO CROWNLINK STANDARD PROCEDURE

|        |                        |          |            |            |
|--------|------------------------|----------|------------|------------|
|        |                        |          |            | X.XX ±0.10 |
| A      | FIRST DRAWING          | ANNIE    | 2011.10.15 |            |
| REV/版本 | MODIFIED CONTENT /變更內容 | DRAWN/繪圖 | DATE/日期    |            |

TOLERANCE RANGE/公差範圍

|                |               |   |                  |          |         |         |
|----------------|---------------|---|------------------|----------|---------|---------|
| DRAWN/繪圖       | DATE/日期       | <b>CROWN LINK® THE LEADING MANUFACTURER OF FPC &amp; FFC CONNECTOR, HOUSING AND DOME.</b> |                  |          |         |         |
| ANNIE          | 2013.02.28    | PRODUCT NAME/品名 METAL DOME  |                  |          |         |         |
| CHECK BY/審查    | DATE/日期       | PART NO./料號   | THICKNESS/厚度     | SCALE/比例 | SIZE/圖號 | UNIT/單位 |
| VIVIAN         | 2013.02.28    | CL7-QSN-250T  | 0.08 mm          | 14:1     | A4      | mm      |
| APPROVED BY/核准 | DATE/日期       | MATERIAL/材質   | ANGLE OF VIEW/視角 | SHEET/頁碼 | REV/版本  |         |
| JASON          | 2013.02.28    | STAINLESS STEEL SUS 304   | 14:1             | 1 OF 1   | A       |         |
| PACKAGE/包裝     | 10,000PCS/BAG |   |                  |          |         |         |

D

D

C

C

B

B

A

A