

4

3

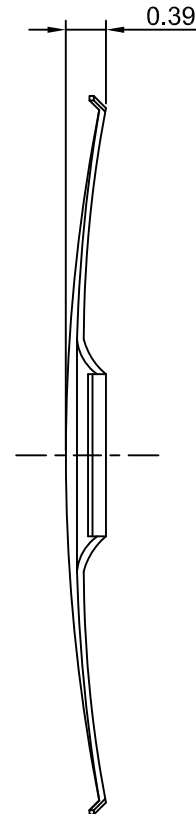
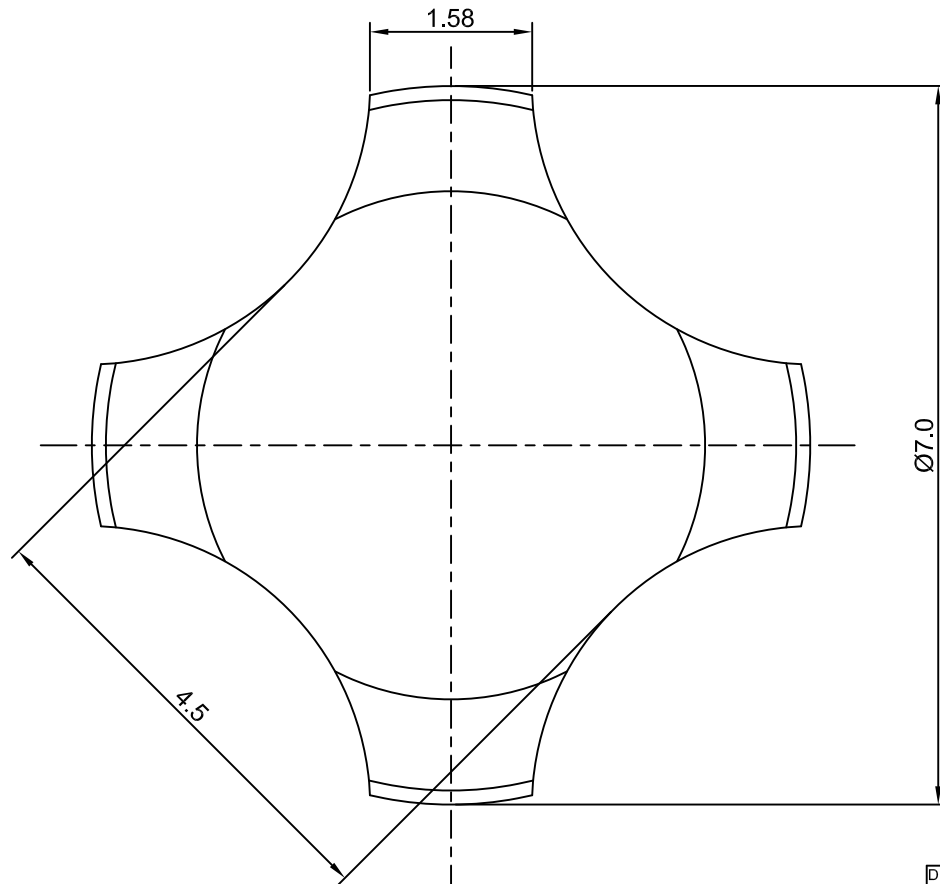
2

1

CROWN LINK[®]

專業薄膜開關連接器第一品牌

ROHS



◆ SPECIFICATIONS

TRIP FORCE: 220± 30 g

CLICK RATIO: MIN 35 %

◆ TESTING CONDITIONS

FORCE TEST PROBE: HARD POINTED

LIFE TEST PROBE: RB 60° SILICON ROUND HEAD

LIFE TEST FORCE: 275 g

LIFE TEST SPEED: 180 CYCLE / MIN

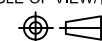
BURR: MAX 0.05 MM

UNLESS OTHERWISE SPECIFIED TESTING METHOD

ACCORDING TO CROWNLINK STANDARD PROCEDURE

| | | | | |
|--------|-------------------------------|----------|------------|------------|
| C | NEW DRAWING FORMAT | ANNIE | 2013.03.01 | X.XX ±0.10 |
| B | CONVERT TO NEW DRAWING FORMAT | ANNIE | 2010.07.12 | |
| A | FIRST DRAWING | ANNIE | 2007.05.24 | |
| REV/版本 | MODIFIED CONTENT /變更內容 | DRAWN/繪圖 | DATE/日期 | |

| | | | | | | |
|----------------|---------------|--|--------------|------------------|----------|---------|
| DRAWN/繪圖 | DATE/日期 | CROWN LINK[®] THE LEADING MANUFACTURER OF FPC & FFC CONNECTOR, HOUSING AND DOME. | | | | |
| ANNIE | 2013.03.01 | PRODUCT NAME/品名 | | | | |
| CHECK BY/審查 | DATE/日期 | METAL DOME | | | | |
| VIVIAN | 2013.03.01 | PART NO./料號 | THICKNESS/厚度 | SCALE/比例 | SIZE/圖號 | UNIT/單位 |
| APPROVED BY/核准 | DATE/日期 | CL7-QSN-220T | 0.08 mm | 14:1 | A4 | mm |
| JASON | 2013.03.01 | MATERIAL/材質 | | ANGLE OF VIEW/視角 | SHEET/頁碼 | REV/版本 |
| PACKAGE/包裝 | 10,000PCS/BAG | STAINLESS STEEL SUS 304 | | 1 OF 1 | 1 OF 1 | C |



D

D

C

C

B

B

A

A