

4

3

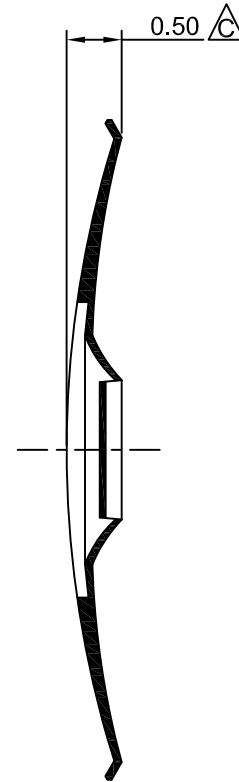
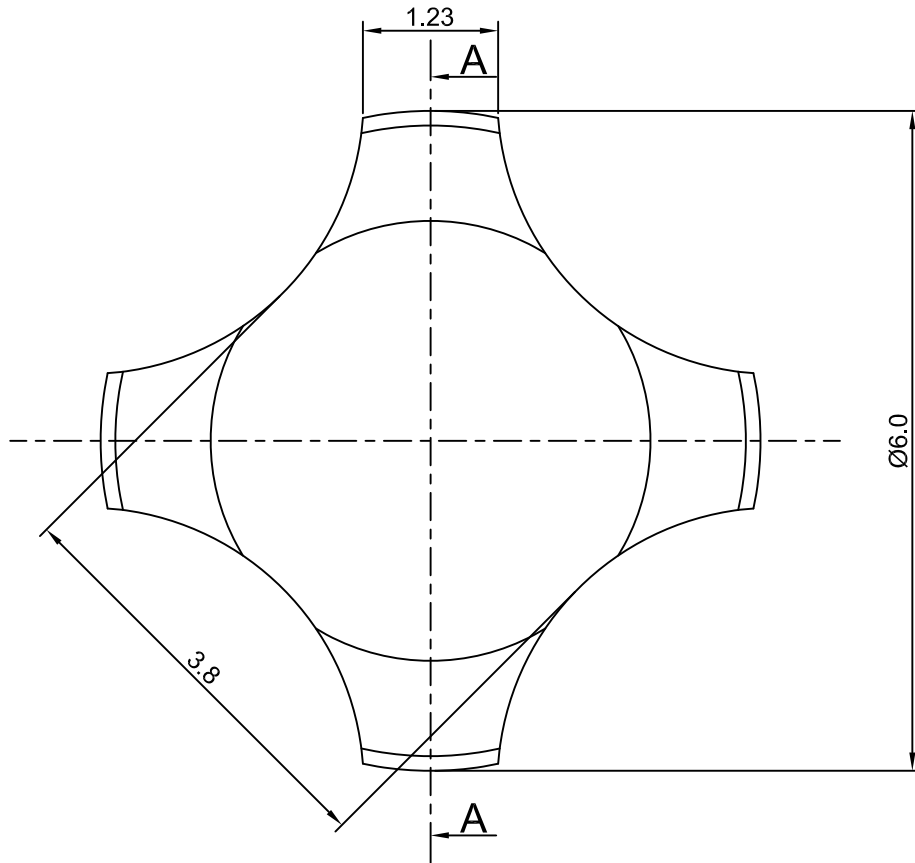
2

1

CROWN LINK[®]

專業薄膜開關連接器第一品牌

ROHS



SECTION-A-A



- ◆ SPECIFICATIONS
- TRIP FORCE: 280 ± 30 g
- CLICK RATIO: MIN 50 %
- ◆ TESTING CONDITIONS
- FORCE TEST PROBE: HARD POINTED
- LIFE TEST PROBE: RB 60° SILICON ROUND HEAD
- LIFE TEST FORCE: 340 g
- LIFE TEST SPEED: 180 CYCLE / MIN
- BURR: MAX 0.05 MM
- UNLESS OTHERWISE SPECIFIED TESTING METHOD ACCORDING TO CROWNLINK STANDARD PROCEDURE

E	ADD CONTACT LIFE SPECIFICATION	ANNIE	2013.02.28	X.XX ±0.10
C	REVISE DOME HEIGHT	ANNIE	2012.03.02	
B	CONVERT TO NEW DRAWING FORMAT	ANNIE	2011.04.15	
REV/版本	MODIFIED CONTENT /變更內容	DRAWN/繪圖	DATE/日期	

DRAWN/繪圖	DATE/日期	CROWN LINK[®] THE LEADING MANUFACTURER OF FPC & FFC CONNECTOR, HOUSING AND DOME.				
ANNIE	2013.02.28	PRODUCT NAME/品名 METAL DOME				
CHECK BY/審查	DATE/日期	PART NO./料號	THICKNESS/厚度	SCALE/比例	SIZE/圖號	UNIT/單位
VIVIAN	2013.02.28	CL6-QSN-280T	0.06 mm	15:1	A4	mm
APPROVED BY/核准	DATE/日期	MATERIAL/材質		ANGLE OF VIEW/視角	SHEET/頁碼	REV/版本
JASON	2013.02.28	STAINLESS STEEL SUS 304		1 OF 1	1 OF 1	E
PACKAGE/包裝	10,000PCS/BAG					

D

D

C

C

B

B

A

A