

4

3

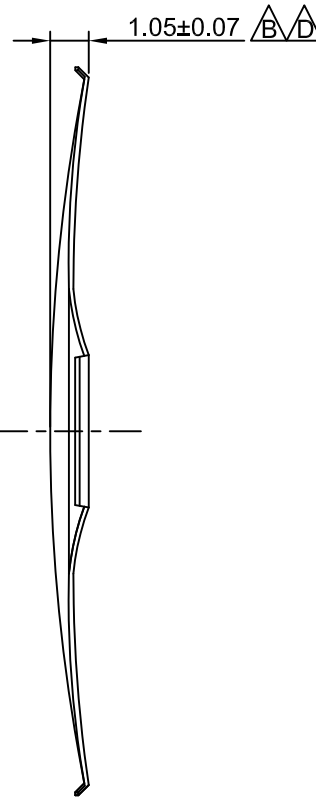
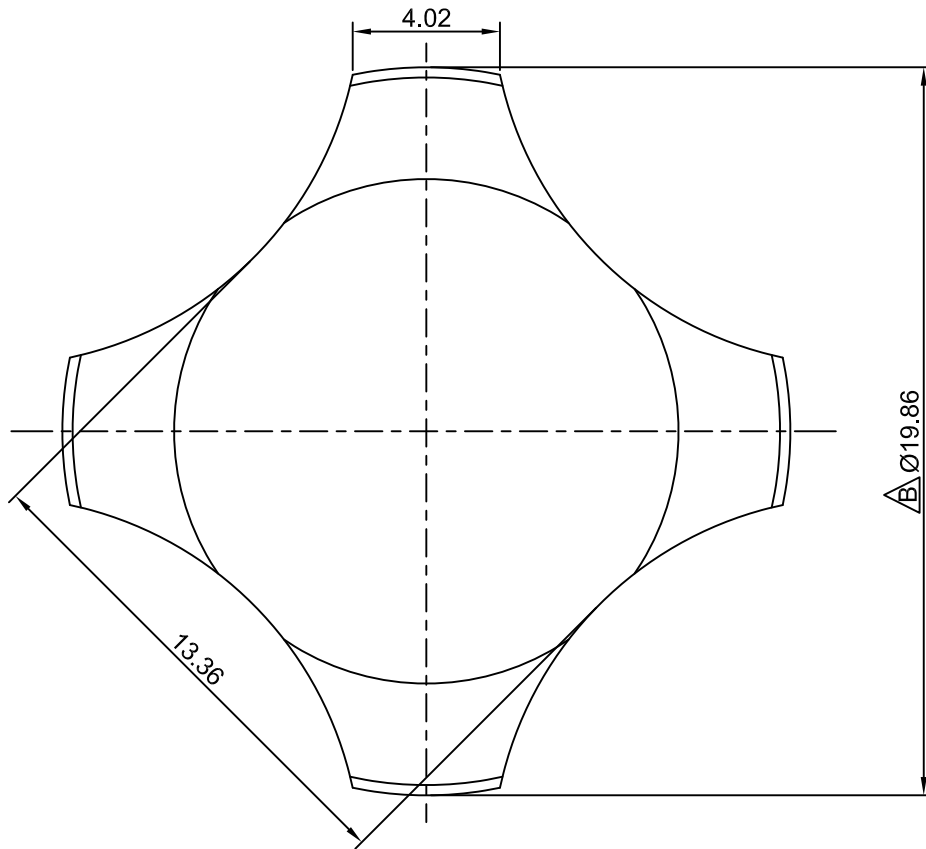
2

1

# CROWN LINK<sup>®</sup>

專業薄膜開關連接器第一品牌

ROHS



### ◆ SPECIFICATIONS

TRIP FORCE: 400 ± 30 g  
 CLICK RATIO: MIN 50 %

### ◆ TESTING CONDITIONS

FORCE TEST PROBE: HARD POINTED  
 LIFE TEST PROBE: RB 60° SILICON ROUND HEAD  
 LIFE TEST FORCE: 475 g  
 LIFE TEST SPEED: 180 CYCLE / MIN  
 BURR: MAX 0.05 MM  
 UNLESS OTHERWISE SPECIFIED TESTING METHOD  
 ACCORDING TO CROWNLINK STANDARD PROCEDURE

D	NEW DRAWING FORMAT & REVISE DOME HEIGHT TOL	ANNIE	2013.06.21
B	ADD DIMENSIONS	ANNIE	2012.10.08
A	FIRST DRAWING	ANNIE	2011.09.12
REV/版本	MODIFIED CONTENT /變更內容	DRAWN/繪圖	DATE/日期

X.XX ±0.10

TOLERANCE RANGE/公差範圍

DRAWN/繪圖 ANNIE	DATE/日期 2013.06.21	<b>CROWN LINK<sup>®</sup> THE LEADING MANUFACTURER OF FPC &amp; FFC CONNECTOR, HOUSING AND DOME.</b>						
CHECK BY/審查 VIVIAN	DATE/日期 2013.06.21	PRODUCT NAME/品名 METAL DOME						
APPROVED BY/核准 JASON	DATE/日期 2013.06.21	PART NO./料號 CL20-QSN-400T	THICKNESS/厚度 0.12 mm	SCALE/比例 6:1	SIZE/圖號 A4	UNIT/單位 mm		
PACKAGE/包裝	10,000PCS/BAG	MATERIAL/材質 STAINLESS STEEL SUS 304		ANGLE OF VIEW/視角 	SHEET/頁碼 1 OF 1	REV/版本 D		

D

D

C

C

B

B

A

A