

4

3

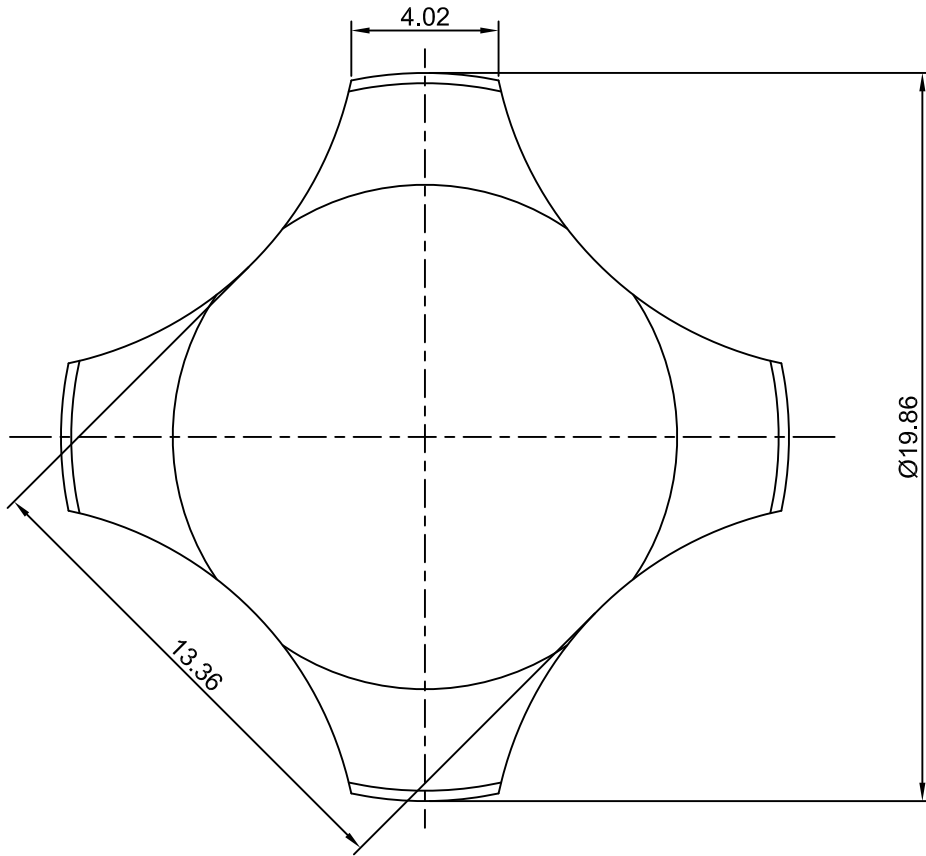
2

1

# CROWN LINK®

專業薄膜開關連接器第一品牌

ROHS



### ◆ SPECIFICATIONS

TRIP FORCE:  $220 \pm 30$  g

CLICK RATIO: MIN 35 %

### ◆ TESTING CONDITIONS

FORCE TEST PROBE: HARD POINTED

LIFE TEST PROBE: RB 60° SILICON ROUND HEAD

LIFE TEST FORCE: 275 g

LIFE TEST SPEED: 180 CYCLE / MIN

BURR: MAX 0.05 MM

UNLESS OTHERWISE SPECIFIED TESTING METHOD

ACCORDING TO CROWNLINK STANDARD PROCEDURE

				X.XX $\pm 0.10$
A	FIRST DRAWING	ANNIE	2013.06.21	
REV/版本	MODIFIED CONTENT /變更內容	DRAWN/繪圖	DATE/日期	
TOLERANCE RANGE/公差範圍				

DRAWN/繪圖	DATE/日期	<b>CROWN LINK® THE LEADING MANUFACTURER OF FPC &amp; FFC CONNECTOR, HOUSING AND DOME.</b>				
ANNIE	2013.06.21	PRODUCT NAME/品名 METAL DOME				
CHECK BY/審查	DATE/日期	PART NO./料號	THICKNESS/厚度	SCALE/比例	SIZE/圖號	UNIT/單位
VIVIAN	2013.06.21	CL20-QSN-220T	0.12 mm	5:1	A4	mm
APPROVED BY/核准	DATE/日期	MATERIAL/材質		ANGLE OF VIEW/視角	SHEET/頁碼	REV/版本
JASON	2013.06.21	STAINLESS STEEL SUS 304			1 OF 1	A
PACKAGE/包裝	10,000PCS/BAG					