

4

3

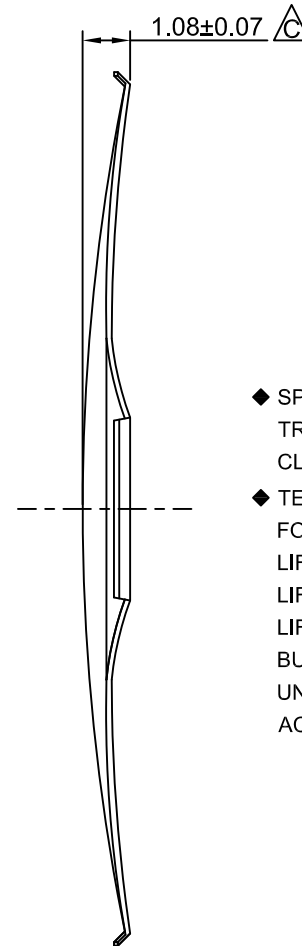
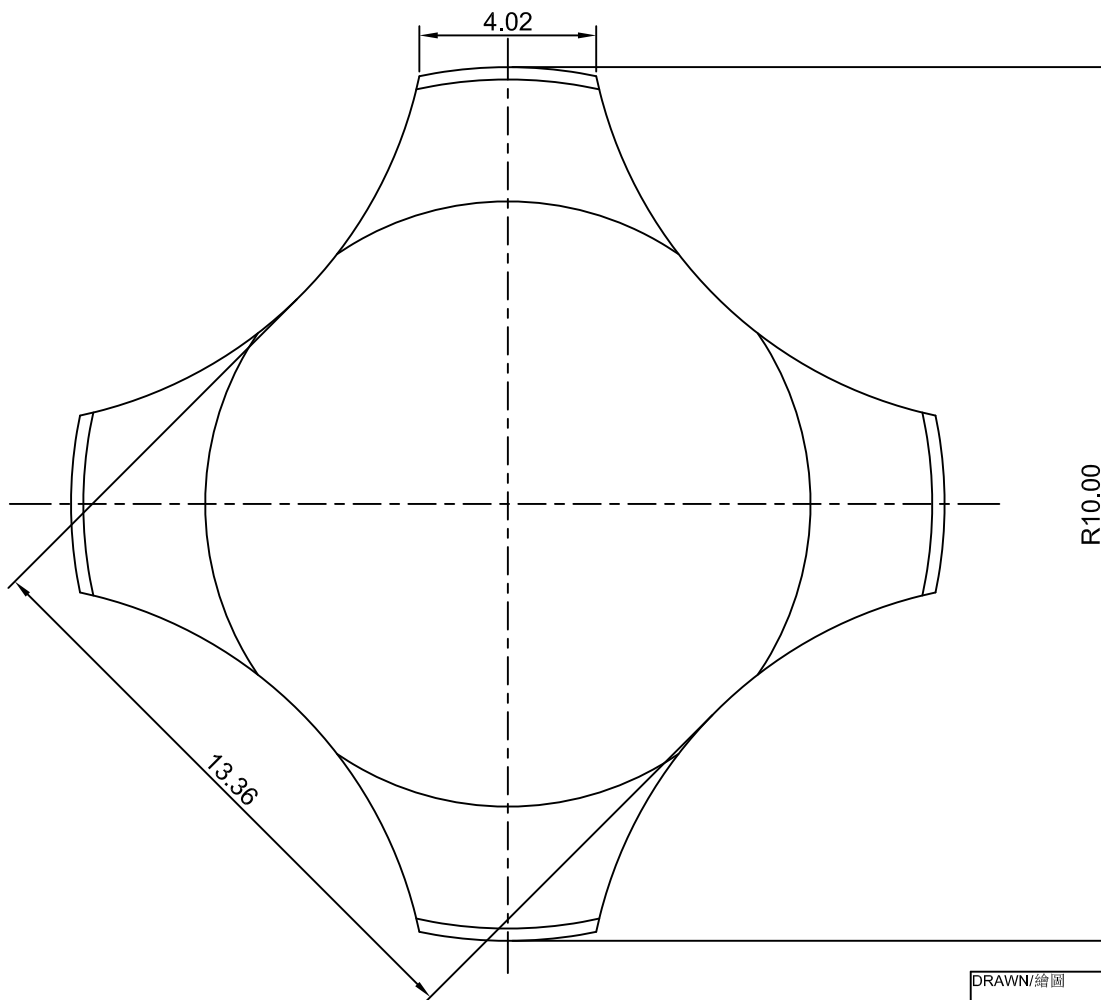
2

1

CROWN LINK[®]

專業薄膜開關連接器第一品牌

RoHS



◆ SPECIFICATIONS

TRIP FORCE: 400 ± 30 g

CLICK RATIO: MIN 45 %

◆ TESTING CONDITIONS

FORCE TEST PROBE: HARD POINTED

LIFE TEST PROBE: RB 60° SILICON ROUND HEAD

LIFE TEST FORCE: 475 g

LIFE TEST SPEED: 180 CYCLE / MIN

BURR: MAX 0.05 MM

UNLESS OTHERWISE SPECIFIED TESTING METHOD
ACCORDING TO CROWNLINK STANDARD PROCEDURE

A

D	SIZE CHANGE	MARY	2018.08.29	X.XX ±0.10
C	NEW DRAWING FORMAT & CORRECT DOME HEIGHT TOL	ANNIE	2013.06.21	
B	CONVERT TO NEW DRAWING FORMAT	ANNIE	2012.10.08	
REV/版本	MODIFIED CONTENT /變更內容	DRAWN/繪圖	DATE/日期	TOLERANCE RANGE/公差範圍

DRAWN/繪圖	DATE/日期	CROWN LINK[®] THE LEADING MANUFACTURER OF FPC & FFC CONNECTOR, HOUSING AND DOME.				
MARY	2018.08.29	PRODUCT NAME/品名				
CHECK BY/審查	DATE/日期	METAL DOME				
VIVIAN	2018.08.29	PART NO./料號	THICKNESS/厚度	SCALE/比例	SIZE/圖號	UNIT/單位
APPROVED BY/核准	DATE/日期	CL20-QNN-400T	0.12 mm	6:1	A4	mm
WENDY	2018.08.29	MATERIAL/材質	ANGLE OF VIEW/視角	SHEET/頁碼	REV/版本	
PACKAGE/包裝	10,000PCS/BAG	DOUBLE SIDE NICKEL PLATED STAINLESS STEEL SUS 304		1 OF 1	D	

A