

4

3

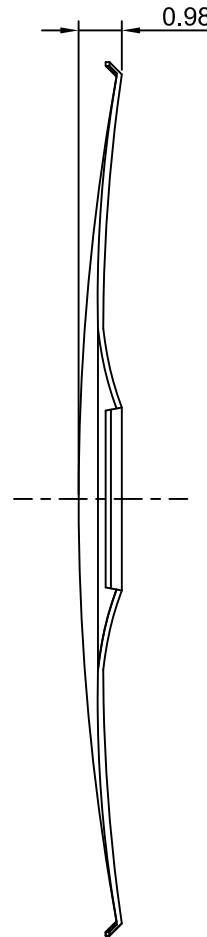
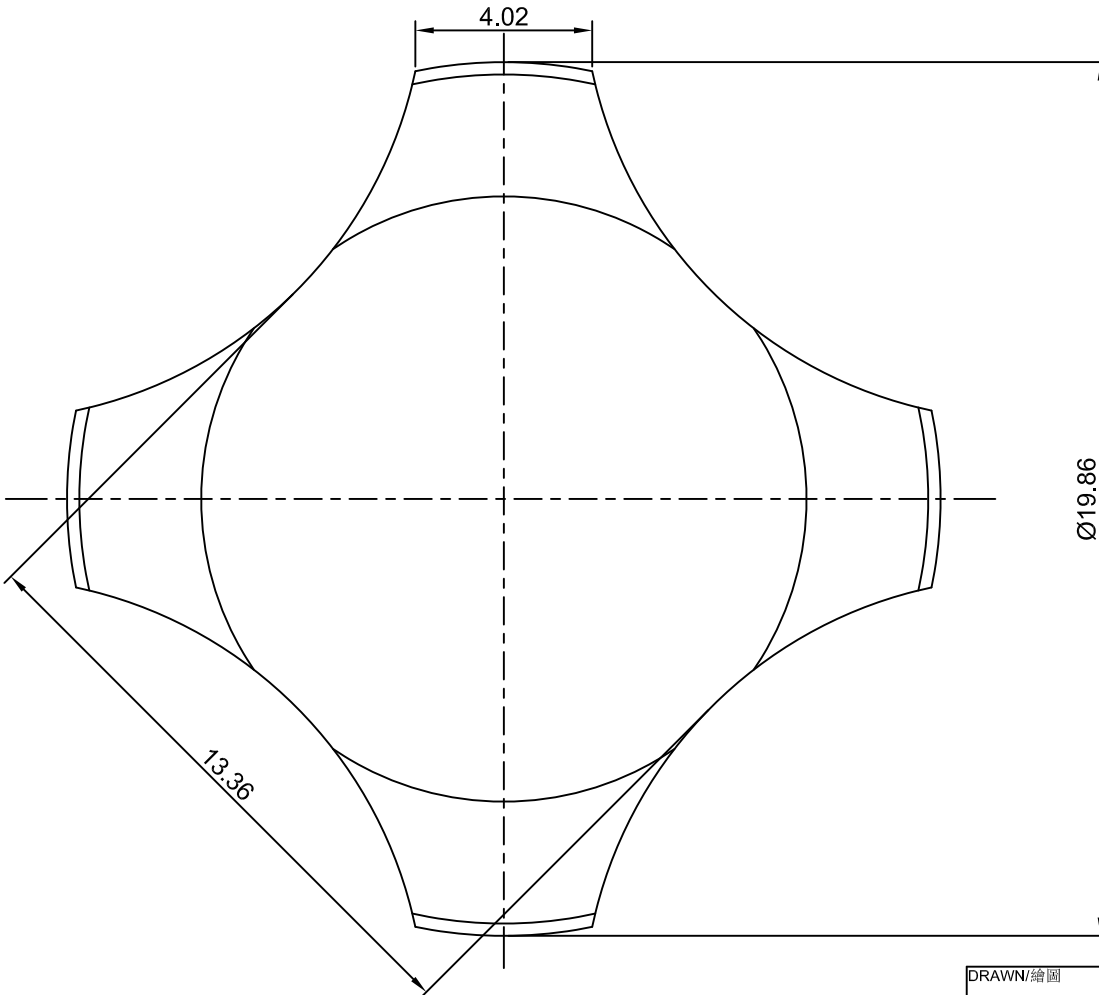
2

1

CROWN LINK[®]

專業薄膜開關連接器第一品牌

ROHS



◆ SPECIFICATIONS

TRIP FORCE: 220 ± 30 g

CLICK RATIO: MIN 35 %

◆ TESTING CONDITIONS

FORCE TEST PROBE: HARD POINTED

LIFE TEST PROBE: RB 60° SILICON ROUND HEAD

LIFE TEST FORCE: 275 g

LIFE TEST SPEED: 180 CYCLE / MIN

BURR: MAX 0.05 MM

UNLESS OTHERWISE SPECIFIED TESTING METHOD ACCORDING TO CROWNLINK STANDARD PROCEDURE

				X.XX ± 0.10
A	FIRST DRAWING	ANNIE	2013.06.21	
REV/版本	MODIFIED CONTENT /變更內容	DRAWN/繪圖	DATE/日期	
TOLERANCE RANGE/公差範圍				

DRAWN/繪圖	DATE/日期	CROWN LINK[®] THE LEADING MANUFACTURER OF FPC & FFC CONNECTOR, HOUSING AND DOME.				
CHECK BY/審查	DATE/日期	PRODUCT NAME/品名				
APPROVED BY/核准	DATE/日期	METAL DOME				
PACKAGE/包裝	DATE/日期	PART NO./料號	THICKNESS/厚度	SCALE/比例	SIZE/圖號	UNIT/單位
		CL20-QNN-220T	0.12 mm	6:1	A4	mm
	10,000PCS/BAG	MATERIAL/材質	ANGLE OF VIEW/視角	SHEET/頁碼	REV/版本	
		DOUBLE SIDE NICKEL PLATED STAINLESS STEEL SUS 304		1 OF 1	A	

D

D

C

C

B

B

A

A