

4

3

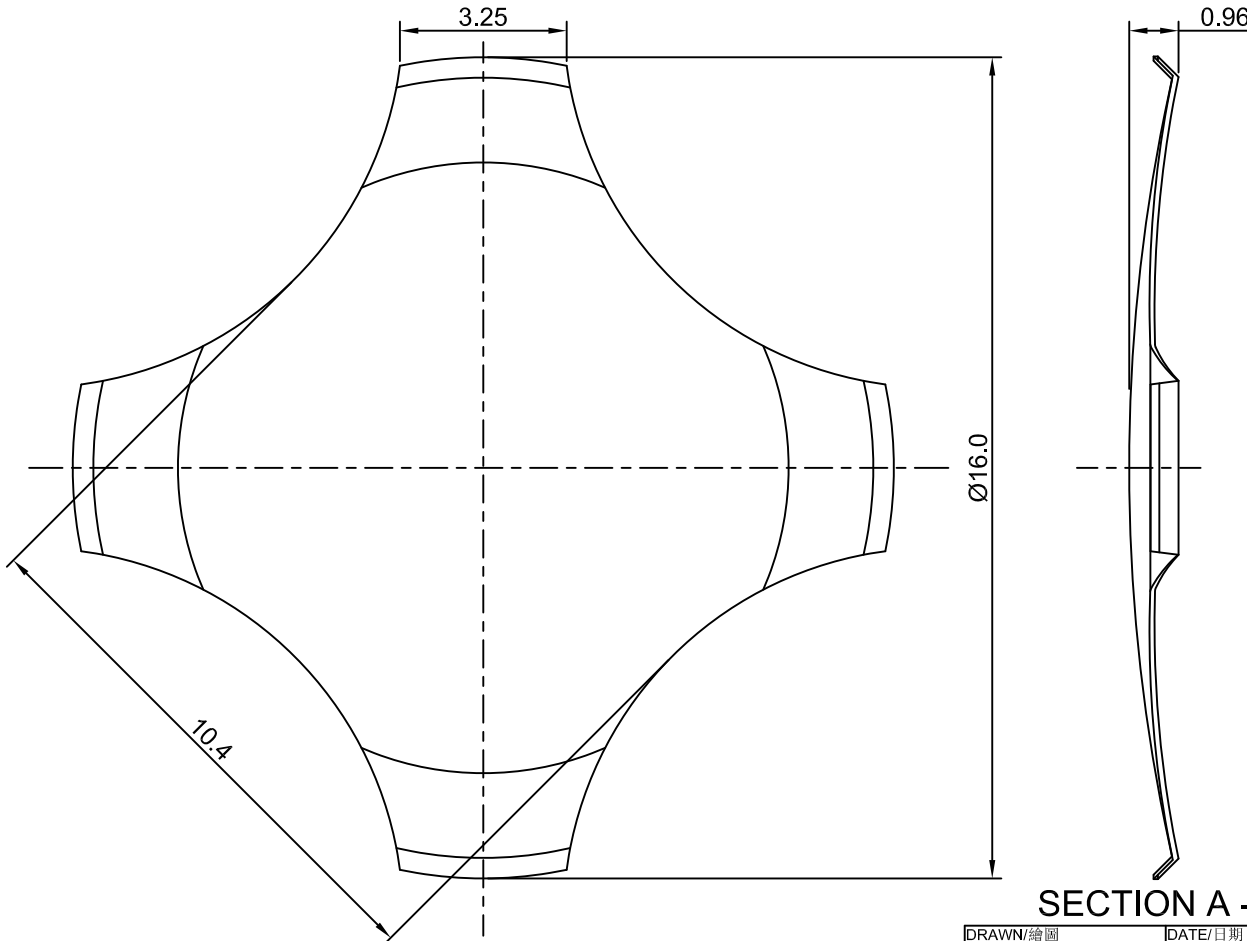
2

1

CROWN LINK[®]

專業薄膜開關連接器第一品牌

ROHS



- ◆ SPECIFICATIONS
 - TRIP FORCE: 600 ± 30 g
 - CLICK RATIO: MIN 60 %
- ◆ TESTING CONDITIONS
 - FORCE TEST PROBE: HARD POINTED
 - LIFE TEST PROBE: RB 60° SILICON ROUND HEAD
 - LIFE TEST FORCE: 695 g
 - LIFE TEST SPEED: 180 CYCLE / MIN
 - BURR: MAX 0.05 MM
 - UNLESS OTHERWISE SPECIFIED TESTING METHOD ACCORDING TO CROWNLINK STANDARD PROCEDURE

SECTION A - A

				X.XX ±0.10
A	FIRST DRAWING	ANNIE	2013.06.17	
REV/版本	MODIFIED CONTENT /變更內容	DRAWN/繪圖	DATE/日期	
				TOLERANCE RANGE/公差範圍

DRAWN/繪圖	DATE/日期	CROWN LINK[®] THE LEADING MANUFACTURER OF FPC & FFC CONNECTOR, HOUSING AND DOME.				
ANNIE	2013.06.17	PRODUCT NAME/品名 METAL DOME				
CHECK BY/審查	DATE/日期	PART NO./料號	THICKNESS/厚度	SCALE/比例	SIZE/圖號	UNIT/單位
VIVIAN	2013.06.17	CL16-QSN-600T	0.12 mm	7:1	A4	mm
APPROVED BY/核准	DATE/日期	MATERIAL/材質	ANGLE OF VIEW/視角		SHEET/頁碼	REV/版本
JASON	2013.06.17	STAINLESS STEEL SUS 304	1 OF 1		1 OF 1	A
PACKAGE/包裝	10,000PCS/BAG					