

4

3

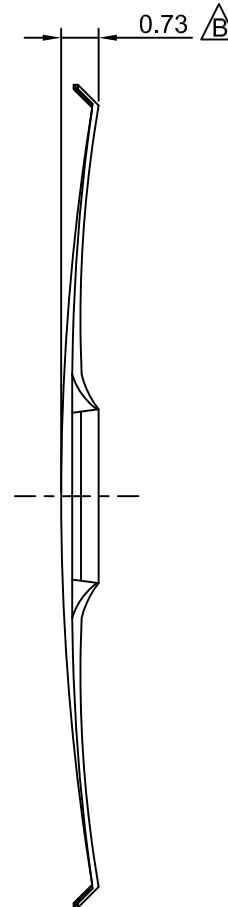
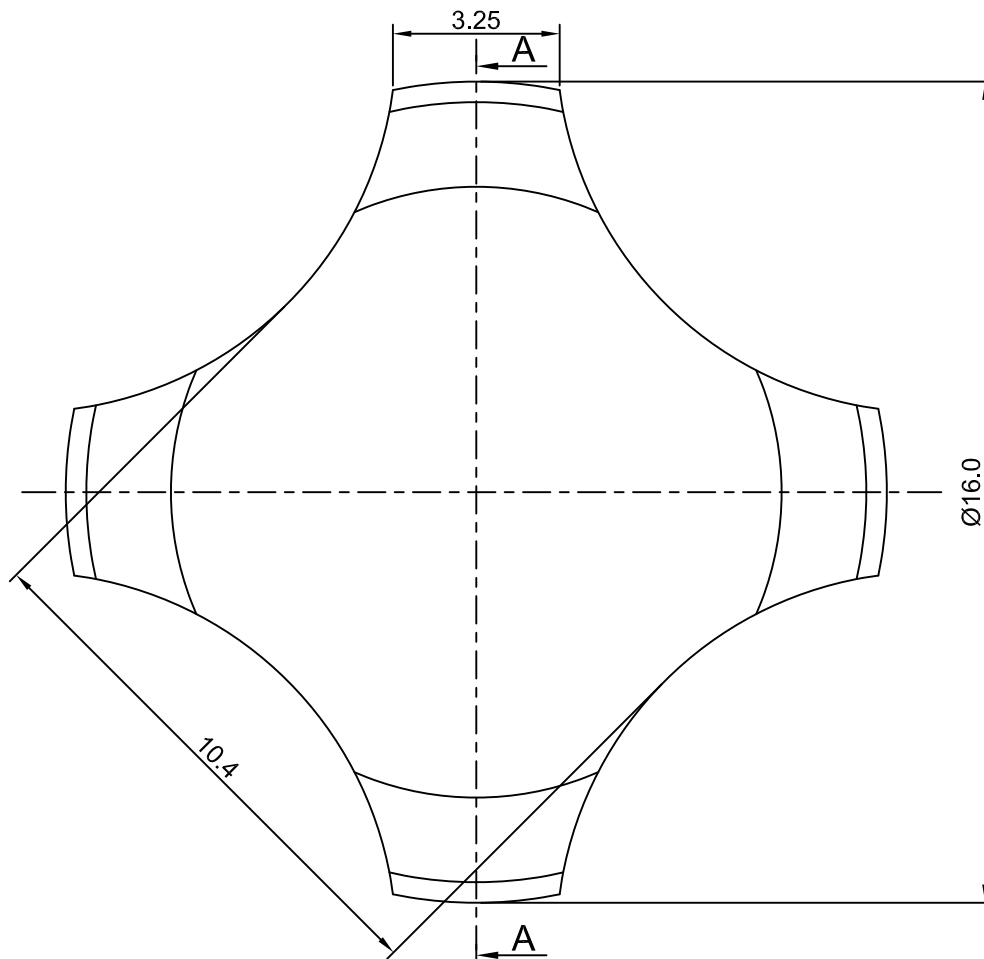
2

1

CROWN LINK[®]

專業薄膜開關連接器第一品牌

ROHS



SECTION A - A



◆ SPECIFICATIONS

TRIP FORCE: 280 ± 30 g

CLICK RATIO: MIN 45 %

◆ TESTING CONDITIONS

FORCE TEST PROBE: HARD POINTED

LIFE TEST PROBE: RB 60° SILICON ROUND HEAD

LIFE TEST FORCE: 340 g

LIFE TEST SPEED: 180 CYCLE / MIN

BURR: MAX 0.05 MM

UNLESS OTHERWISE SPECIFIED TESTING METHOD
ACCORDING TO CROWNLINK STANDARD PROCEDURE

A

				X.XX ±0.10
B	NEW DRAWING FORMAT & CORRECT DOME HEIGHT	ANNIE	2013.06.17	
A	FIRST DRAWING	ANNIE	2011.10.03	
REV/版本	MODIFIED CONTENT /變更內容	DRAWN/繪圖	DATE/日期	
				TOLERANCE RANGE/公差範圍

DRAWN/繪圖	DATE/日期	CROWN LINK[®] THE LEADING MANUFACTURER OF FPC & FFC CONNECTOR, HOUSING AND DOME.						
ANNIE	2013.06.17	PRODUCT NAME/品名 METAL DOME						
CHECK BY/審查	DATE/日期	PART NO./料號	THICKNESS/厚度	SCALE/比例	SIZE/圖號	UNIT/單位		
VIVIAN	2013.06.17	CL16-QNN-280T	0.12 mm	7:1	A4	mm		
APPROVED BY/核准	DATE/日期	MATERIAL/材質	ANGLE OF VIEW/視角	SHEET/頁碼	REV/版本			
JASON	2013.06.17	DOUBLE SIDE NICKEL PLATED STAINLESS STEEL SUS 304	⊕	1 OF 1	B			
PACKAGE/包裝								
	10,000PCS/BAG							

A