

4

3

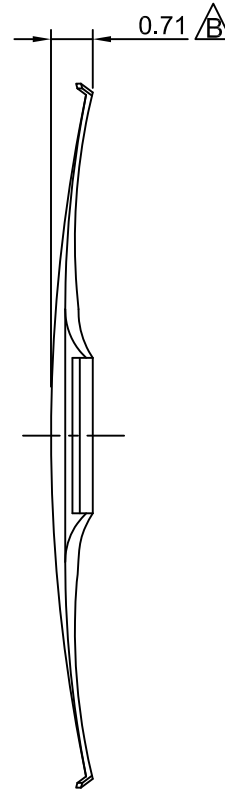
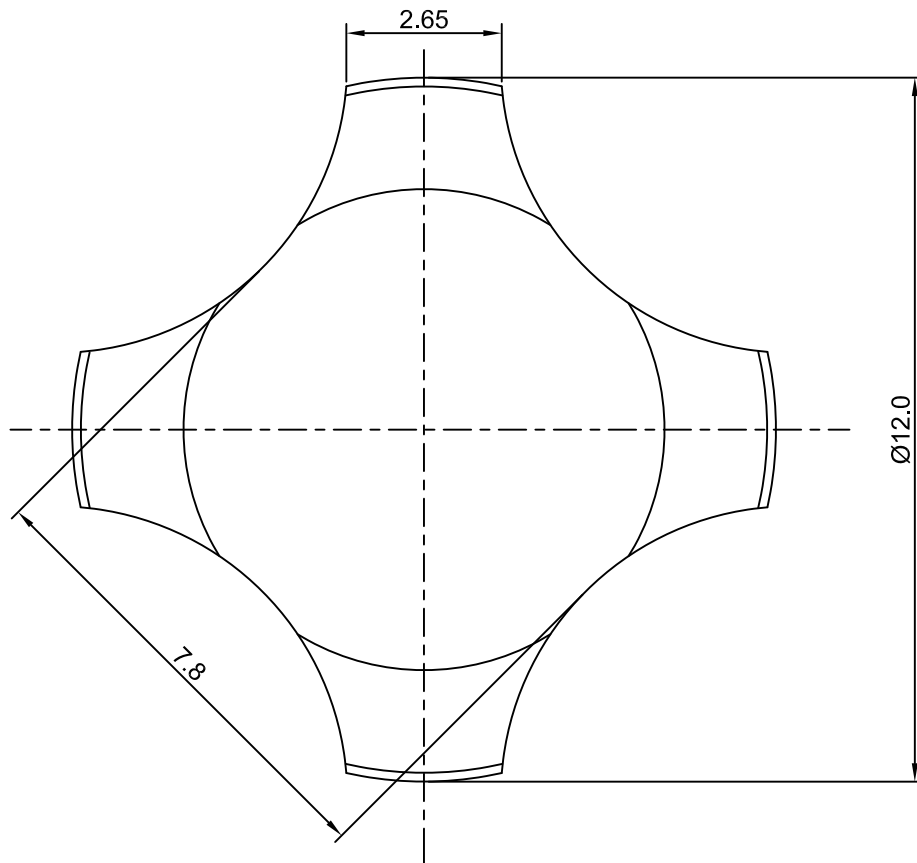
2

1

CROWN LINK[®]

專業薄膜開關連接器第一品牌

ROHS



◆ SPECIFICATIONS

TRIP FORCE: 400 ± 30 g

CLICK RATIO: MIN 55 %

◆ TESTING CONDITIONS

FORCE TEST PROBE: HARD POINTED

LIFE TEST PROBE: RB 60° SILICON ROUND HEAD

LIFE TEST FORCE: 470 g

LIFE TEST SPEED: 180 CYCLE / MIN

BURR: MAX 0.05 MM

UNLESS OTHERWISE SPECIFIED TESTING METHOD

ACCORDING TO CROWNLINK STANDARD PROCEDURE

SECTION A - A

C	CONVERT TO NEW DRAWING FORMAT	ANNIE	2013.02.05	X.XX ±0.10
B	CONVERT TO NEW DRAWING FORMAT & REVISE DOME HEIGHT	ANNIE	2013.01.21	
A	FIRST DRAWING	ANNIE	2009.07.06	
REV/版本	MODIFIED CONTENT /變更內容	DRAWN/繪圖	DATE/日期	
				TOLERANCE RANGE/公差範圍

DRAWN/繪圖	DATE/日期	CROWN LINK[®] THE LEADING MANUFACTURER OF FPC & FFC CONNECTOR, HOUSING AND DOME.				
ANNIE	2013.02.05	PRODUCT NAME/品名				
CHECK BY/審查	DATE/日期	METAL DOME				
VIVIAN	2013.02.05	PART NO./料號	THICKNESS/厚度	SCALE/比例	SIZE/圖號	UNIT/單位
APPROVED BY/核准	DATE/日期	CL12.2-QSN-400T	0.10 mm	8:1	A4	mm
JASON	2013.02.05	MATERIAL/材質		ANGLE OF VIEW/視角	SHEET/頁碼	REV/版本
PACKAGE/包裝	10,000PCS/BAG	STAINLESS STEEL SUS 304		1 OF 1	1 OF 1	C

D

D

C

C

B

B

A

A