

4

3

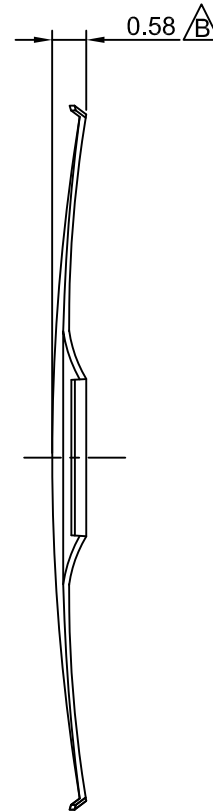
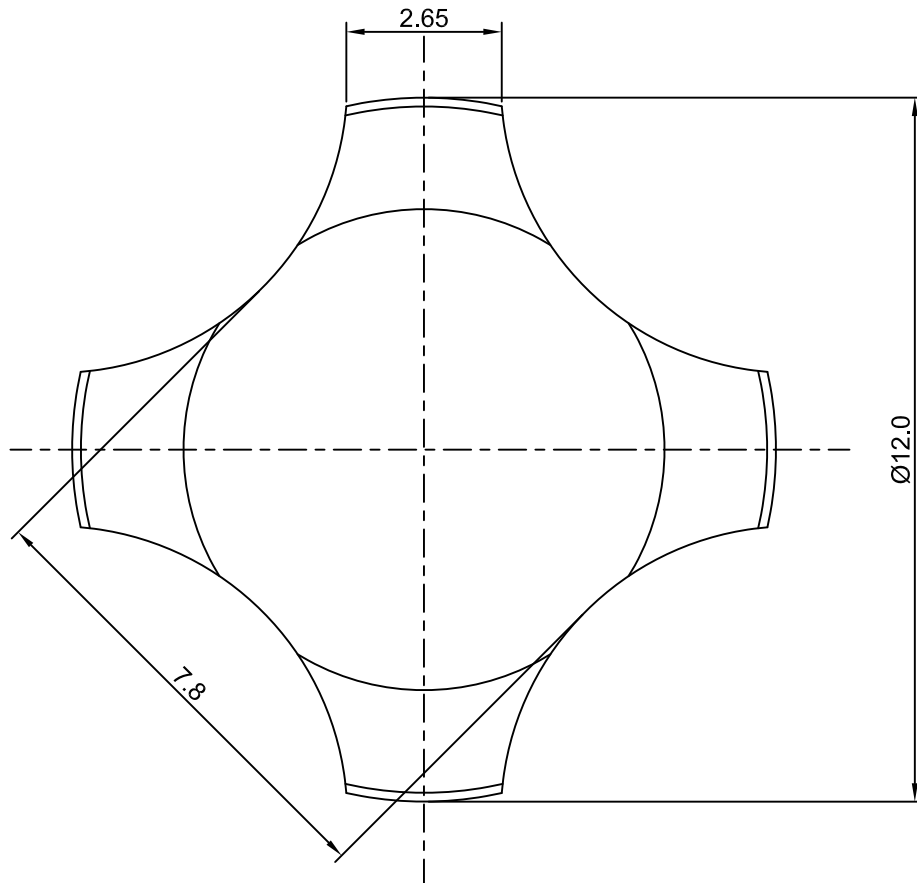
2

1

CROWN LINK[®]

專業薄膜開關連接器第一品牌

ROHS



◆ SPECIFICATIONS

TRIP FORCE: 280 ± 30 g

CLICK RATIO: MIN 50 %

◆ TESTING CONDITIONS

FORCE TEST PROBE: HARD POINTED

LIFE TEST PROBE: RB 60° SILICON ROUND HEAD

LIFE TEST FORCE: 340 g

LIFE TEST SPEED: 180 CYCLE / MIN

BURR: MAX 0.05 MM

UNLESS OTHERWISE SPECIFIED TESTING METHOD

ACCORDING TO CROWNLINK STANDARD PROCEDURE

SECTION A - A

| | | | | |
|--------|---|----------|------------|----------------------|
| C | CONVERT TO NEW DRAWING FORMAT | ANNIE | 2013.03.12 | X.XX ±0.10 |
| B | CONVERT TO NEW DRAWING & REVISE DOME HEIGHT | ANNIE | 2012.04.12 | |
| A | FIRST DRAWING | ANNIE | 2009.07.06 | |
| REV/版本 | MODIFIED CONTENT /變更內容 | DRAWN/繪圖 | DATE/日期 | |
| | | | | TOLERANCE RANGE/公差範圍 |

| | | | | | | |
|----------------|---------------|--|------------------|----------|----------|---------|
| DRAWN/繪圖 | DATE/日期 | CROWN LINK[®] THE LEADING MANUFACTURER OF FPC & FFC CONNECTOR, HOUSING AND DOME. | | | | |
| ANNIE | 2013.03.14 | PRODUCT NAME/品名 | | | | |
| CHECK BY/審查 | DATE/日期 | METAL DOME | | | | |
| VIVIAN | 2013.03.14 | PART NO./料號 | THICKNESS/厚度 | SCALE/比例 | SIZE/圖號 | UNIT/單位 |
| APPROVED BY/核准 | DATE/日期 | CL12.2-QSN-280T | 0.10 mm | 8:1 | A4 | mm |
| JASON | 2013.03.14 | MATERIAL/材質 | ANGLE OF VIEW/視角 | | SHEET/頁碼 | REV/版本 |
| PACKAGE/包裝 | 10,000PCS/BAG | STAINLESS STEEL SUS 304 | | | 1 OF 1 | C |

D

D

C

C

B

B

A

A