

4

3

2

1

# CROWN LINK<sup>®</sup>

專業薄膜開關連接器第一品牌

ROHS



◆ SPECIFICATIONS

TRIP FORCE: 680 ± 30 g

CLICK RATIO: MIN 50 %

◆ TESTING CONDITIONS

FORCE TEST PROBE: HARD POINTED

LIFE TEST PROBE: RB 60° SILICON ROUND HEAD

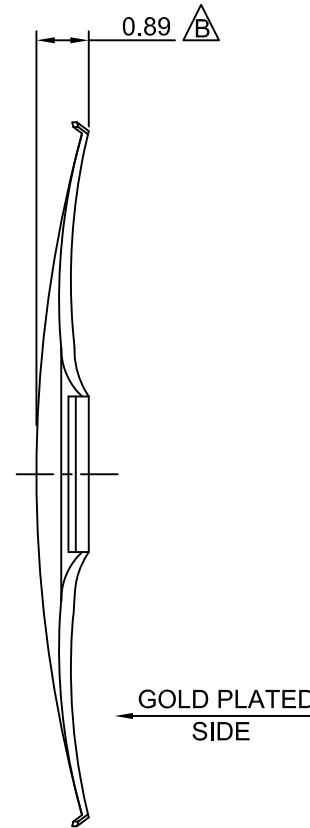
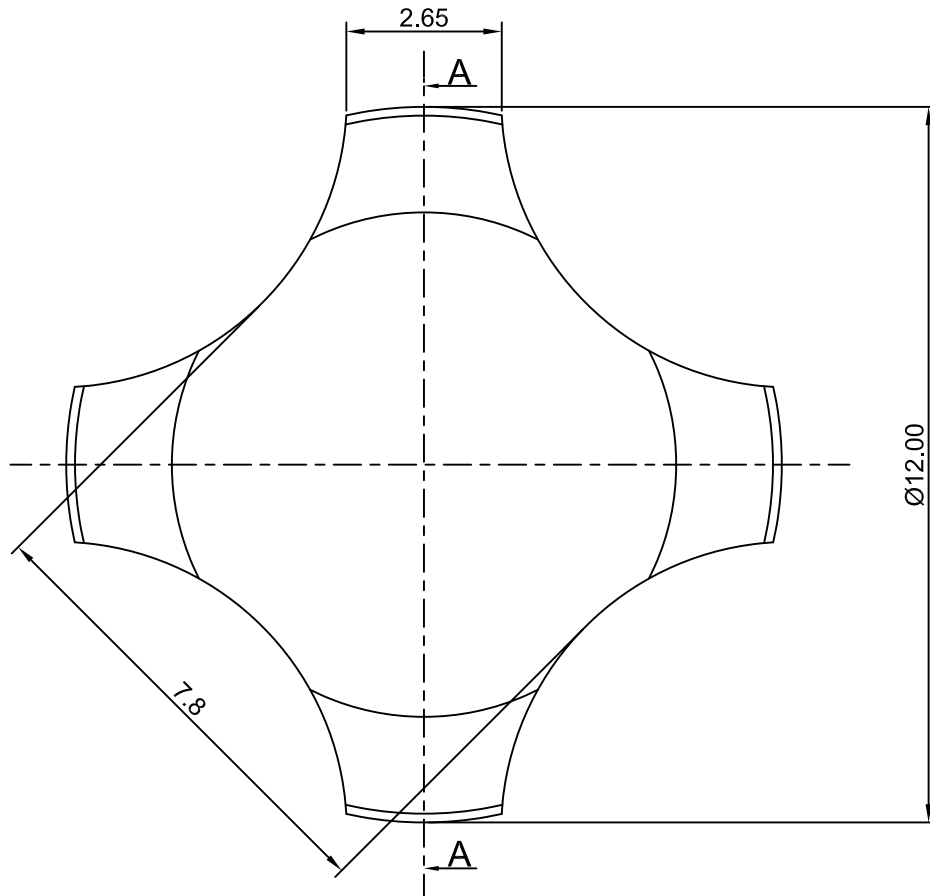
LIFE TEST FORCE: 780 g

LIFE TEST SPEED: 180 CYCLE / MIN

BURR: MAX 0.05 MM

UNLESS OTHERWISE SPECIFIED TESTING METHOD

ACCORDING TO CROWN LINK STANDARD PROCEDURE



SECTION A - A

				X.XX ±0.10
B	CORRECT DRAWING MISTAKE	ANNIE	2013.03.21	
A	FIRST DRAWING	ANNIE	2011.05.20	
REV/版本	MODIFIED CONTENT /變更內容	DRAWN/繪圖	DATE/日期	

DRAWN/繪圖	DATE/日期	<b>CROWN LINK<sup>®</sup> THE LEADING MANUFACTURER OF FPC &amp; FFC CONNECTOR, HOUSING AND DOME.</b>				
ANNIE	2013.03.21	PRODUCT NAME/品名				
CHECK BY/審查	DATE/日期	METAL DOME				
VIVIAN	2013.03.21	PART NO./料號	THICKNESS/厚度	SCALE/比例	SIZE/圖號	UNIT/單位
APPROVED BY/核准	DATE/日期	CL12.2-QGN-680T	0.12 mm	8:1	A4	mm
JASON	2013.03.21	MATERIAL/材質		ANGLE OF VIEW/視角	SHEET/頁碼	REV/版本
PACKAGE/包裝	10,000PCS/BAG	SINGLE SIDE GOLD PLATED STAINLESS STEEL SUS 304		1 OF 1	1 OF 1	B

D

D

C

C

B

B

A

A