

4

3

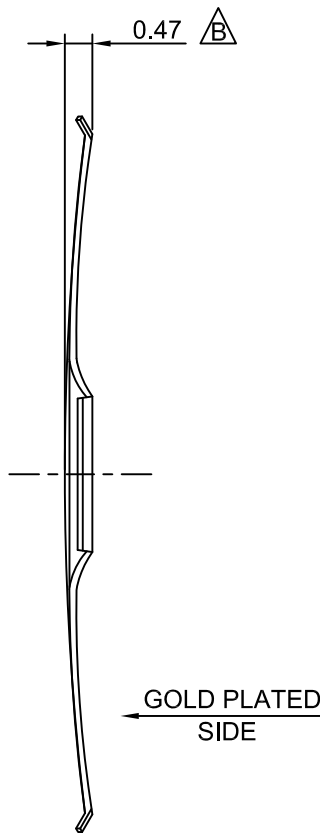
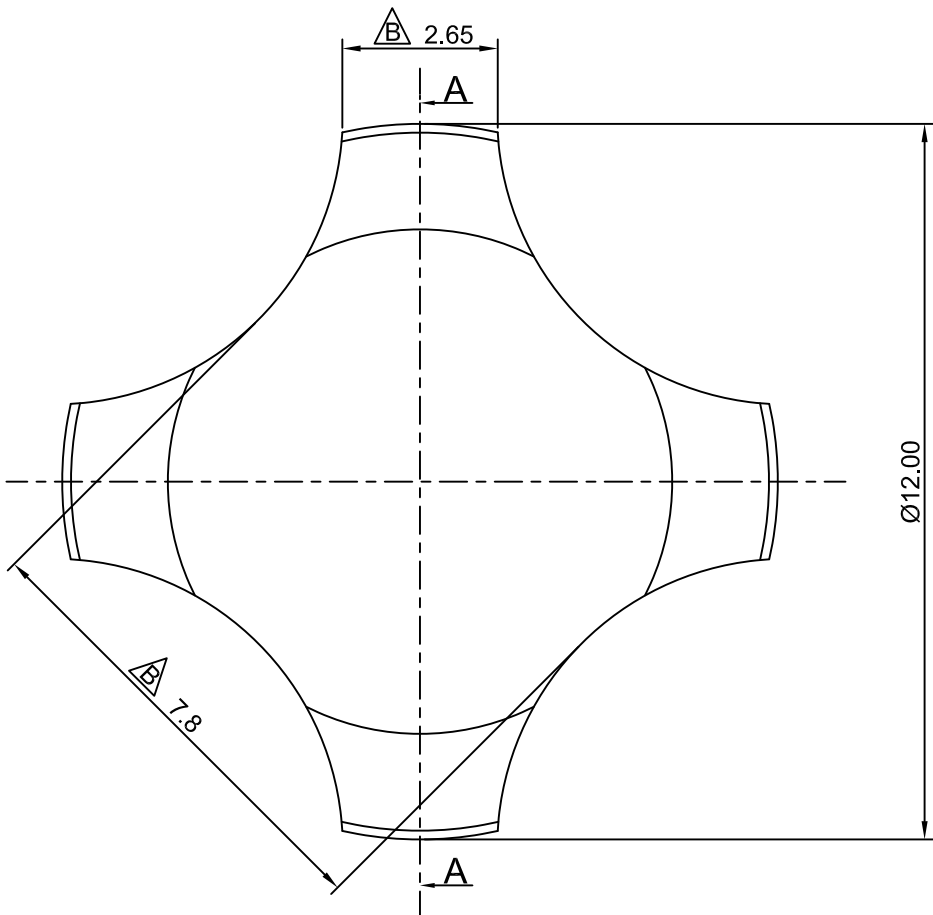
2

1

# CROWN LINK<sup>®</sup>

專業薄膜開關連接器第一品牌

ROHS



SECTION A - A



- ◆ SPECIFICATIONS
  - TRIP FORCE: 150 ± 30 g
  - CLICK RATIO: MIN 30 %
- ◆ TESTING CONDITIONS
  - FORCE TEST PROBE: HARD POINTED
  - LIFE TEST PROBE: RB 60° SILICON ROUND HEAD
  - LIFE TEST FORCE: 200 g
  - LIFE TEST SPEED: 180 CYCLE / MIN
  - BURR: MAX 0.05 MM
  - UNLESS OTHERWISE SPECIFIED TESTING METHOD ACCORDING TO CROWNLINK STANDARD PROCEDURE

C	ADD CONTACT LIFE SPECIFICATION	ANNIE	2013.03.21
B	NEW DRAWING FORMAT, CORRECT DOME HEIGHT AND ADD MISSED DIMENSION	ANNIE	2012.06.10
A	FIRST DRAWING	ANNIE	2011.05.20
REV/版本	MODIFIED CONTENT /變更內容	DRAWN/繪圖	DATE/日期

X.XX ±0.10  
TOLERANCE RANGE/公差範圍

DRAWN/繪圖 ANNIE	DATE/日期 2013.03.21	<b>CROWN LINK<sup>®</sup> THE LEADING MANUFACTURER OF FPC &amp; FFC CONNECTOR, HOUSING AND DOME.</b>				
CHECK BY/審查 VIVIAN	DATE/日期 2013.03.21	PRODUCT NAME/品名 METAL DOME				
APPROVED BY/核准 JASON	DATE/日期 2013.03.21	PART NO./料號 CL12.2-QGN-150T	THICKNESS/厚度 0.10 mm	SCALE/比例 8:1	SIZE/圖號 A4	UNIT/單位 mm
PACKAGE/包裝 10,000PCS/BAG		MATERIAL/材質 SINGLE SIDE GOLD PLATED STAINLESS STEEL SUS 304		ANGLE OF VIEW/視角 	SHEET/頁碼 1 OF 1	REV/版本 C

D

D

C

C

B

B

A

A