

4

3

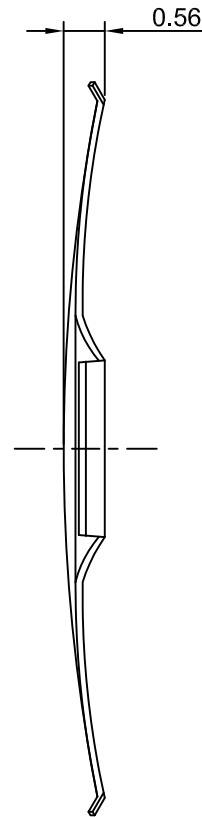
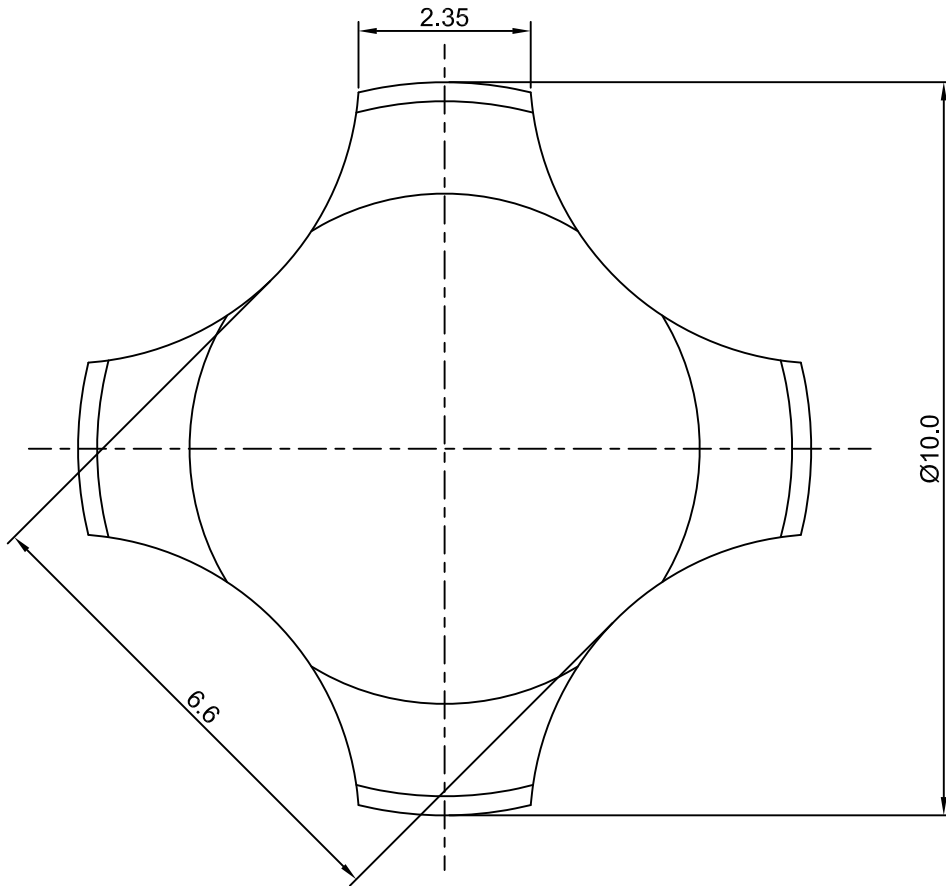
2

1

CROWN LINK[®]

專業薄膜開關連接器第一品牌

ROHS



◆ SPECIFICATIONS

TRIP FORCE: 350 ± 30 g
 CLICK RATIO: MIN 50 %

◆ TESTING CONDITIONS

FORCE TEST PROBE: HARD POINTED
 LIFE TEST PROBE: RB 60° SILICON ROUND HEAD
 LIFE TEST FORCE: 420 g
 LIFE TEST SPEED: 180 CYCLE / MIN
 BURR: MAX 0.05 MM
 UNLESS OTHERWISE SPECIFIED TESTING METHOD
 ACCORDING TO CROWNLINK STANDARD PROCEDURE

				X.XX ±0.10
B	NEW DRAWING FORMAT	ANNIE	2013.03.11	
A	FIRST DRAWING	ANNIE	2009.08.16	
REV/版本	MODIFIED CONTENT /變更內容	DRAWN/繪圖	DATE/日期	
				TOLERANCE RANGE/公差範圍

DRAWN/繪圖	DATE/日期	CROWN LINK[®] THE LEADING MANUFACTURER OF FPC & FFC CONNECTOR, HOUSING AND DOME.				
CHECK BY/審查	DATE/日期	PRODUCT NAME/品名				
		METAL DOME				
APPROVED BY/核准	DATE/日期	PART NO./料號	THICKNESS/厚度	SCALE/比例	SIZE/圖號	UNIT/單位
JASON	2013.03.11	CL10-QSN-350T	0.10 mm	10:1	A4	mm
PACKAGE/包裝		MATERIAL/材質	ANGLE OF VIEW/視角		SHEET/頁碼	REV/版本
	10,000PCS/BAG	STAINLESS STEEL SUS 304			1 OF 1	B