

4

3

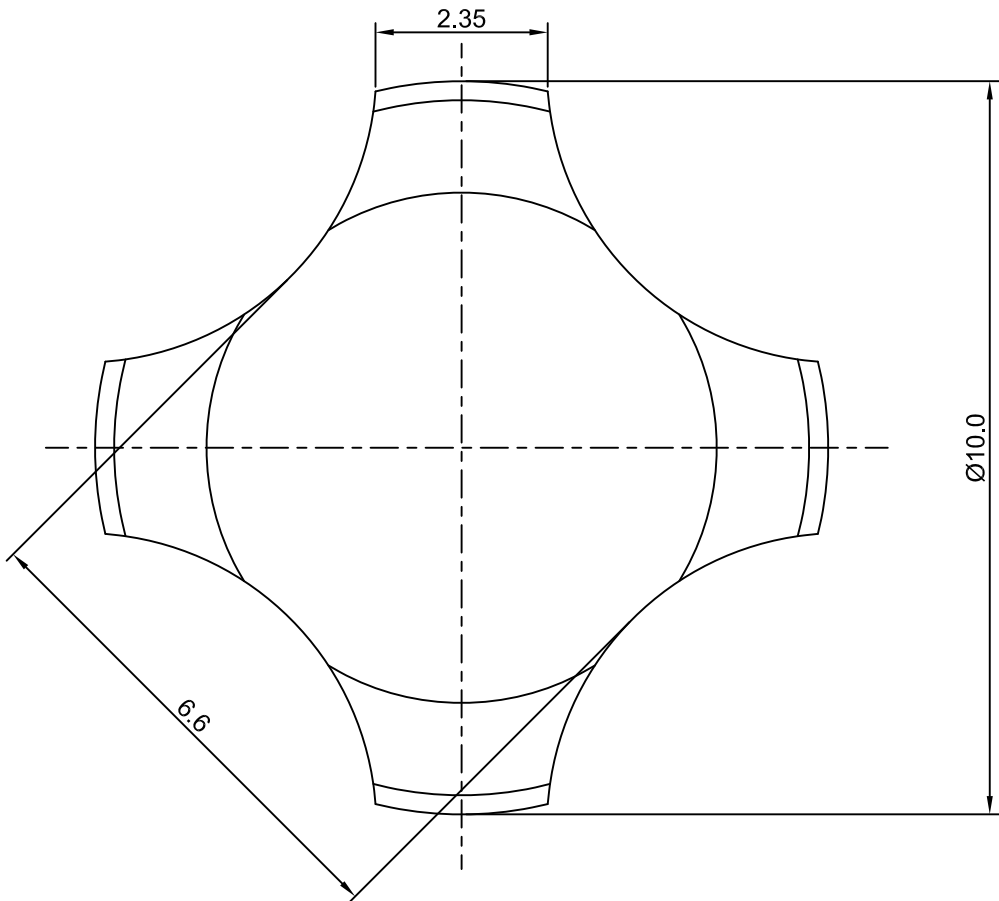
2

1

# CROWN LINK<sup>®</sup>

專業薄膜開關連接器第一品牌

ROHS



### ◆ SPECIFICATIONS

TRIP FORCE:  $180 \pm 30$  g

CLICK RATIO: MIN 50 %

### ◆ TESTING CONDITIONS

FORCE TEST PROBE: HARD POINTED

LIFE TEST PROBE: RB 60° SILICON ROUND HEAD

LIFE TEST FORCE: 230 g

LIFE TEST SPEED: 180 CYCLE / MIN

BURR: MAX 0.05 MM

UNLESS OTHERWISE SPECIFIED TESTING METHOD

ACCORDING TO CROWNLINK STANDARD PROCEDURE

A

				X.XX $\pm 0.10$
B	NEW DRAWING FORMAT	ANNIE	2012.04.15	
A	FIRST DRAWING	ANNIE	2009.08.16	
REV/版本	MODIFIED CONTENT /變更內容	DRAWN/繪圖	DATE/日期	

DRAWN/繪圖	DATE/日期	<b>CROWN LINK<sup>®</sup> THE LEADING MANUFACTURER OF FPC &amp; FFC CONNECTOR, HOUSING AND DOME.</b>						
ANNIE	2013.03.06	PRODUCT NAME/品名 METAL DOME						
CHECK BY/審查	DATE/日期	PART NO./料號	THICKNESS/厚度	SCALE/比例	SIZE/圖號	UNIT/單位		
VIVIAN	2013.03.06	CL10-QSN-180T	0.08 mm	10:1	A4	mm		
APPROVED BY/核准	DATE/日期	MATERIAL/材質	ANGLE OF VIEW/視角	SHEET/頁碼	REV/版本			
JASON	2013.03.06	STAINLESS STEEL SUS 304		1 OF 1	B			
PACKAGE/包裝	10,000PCS/BAG							

A