

4

3

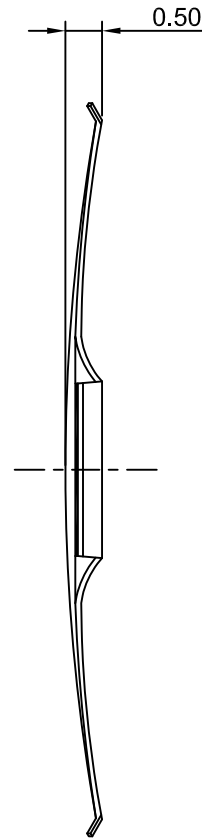
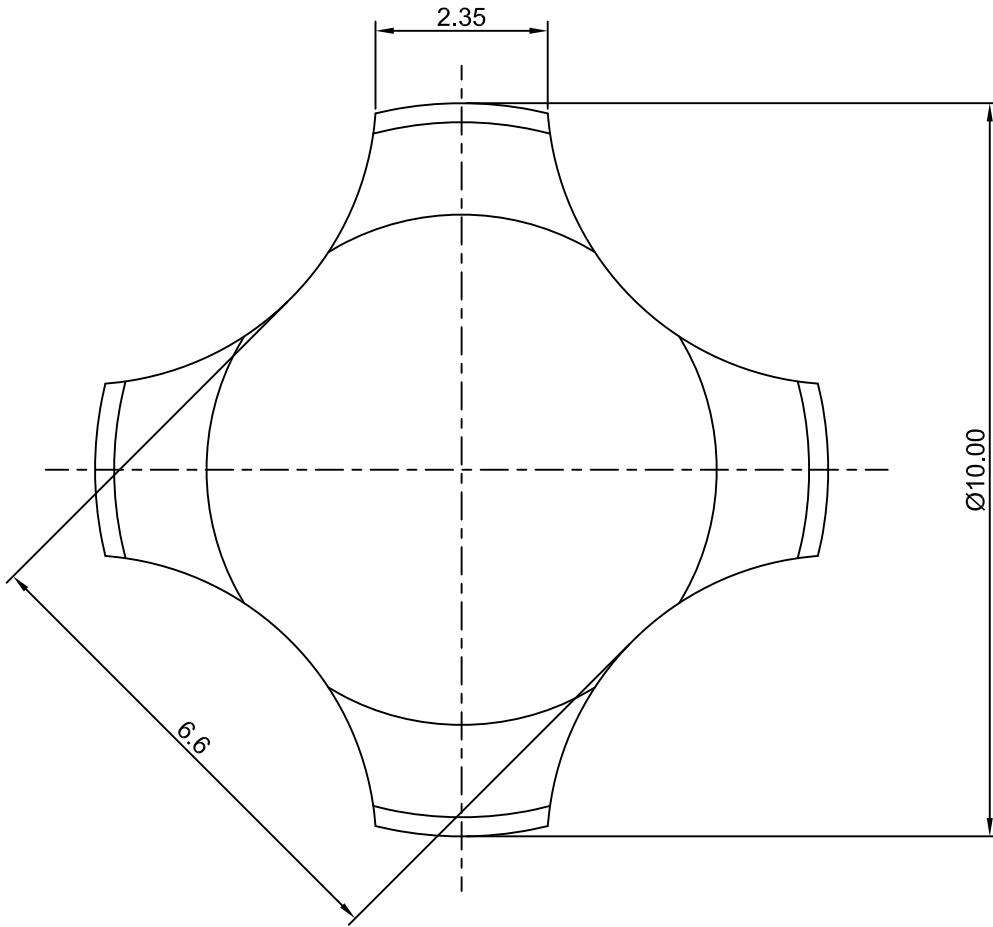
2

1

CROWN LINK[®]

專業薄膜開關連接器第一品牌

ROHS



◆ SPECIFICATIONS

TRIP FORCE: 200 ± 30 g

CLICK RATIO: MIN 40 %

◆ TESTING CONDITIONS

FORCE TEST PROBE: HARD POINTED

LIFE TEST PROBE: RB 60° SILICON ROUND HEAD

LIFE TEST FORCE: 255 g

LIFE TEST SPEED: 180 CYCLE / MIN

BURR: MAX 0.05 MM

UNLESS OTHERWISE SPECIFIED TESTING METHOD

ACCORDING TO CROWNLINK STANDARD PROCEDURE

| | | | | |
|--------|------------------------|----------|------------|-----------------|
| | | | | X.XX ± 0.10 |
| B | NEW DRAWING FORMAT | ANNIE | 2013.03.11 | |
| A | FIRST DRAWING | ANNIE | 2009.08.16 | |
| REV/版本 | MODIFIED CONTENT /變更內容 | DRAWN/繪圖 | DATE/日期 | |

TOLERANCE RANGE/公差範圍

| | | | | | | | | |
|----------------|---------------|--|------------------|----------|---------|---------|--|--|
| DRAWN/繪圖 | DATE/日期 | CROWN LINK[®] THE LEADING MANUFACTURER OF FPC & FFC CONNECTOR, HOUSING AND DOME. | | | | | | |
| ANNIE | 2013.03.11 | PRODUCT NAME/品名 METAL DOME | | | | | | |
| CHECK BY/審查 | DATE/日期 | PART NO./料號 | THICKNESS/厚度 | SCALE/比例 | SIZE/圖號 | UNIT/單位 | | |
| VIVIAN | 2013.03.11 | CL10-QNN-200T | 0.08 mm | 10:1 | A4 | mm | | |
| APPROVED BY/核准 | DATE/日期 | MATERIAL/材質 | ANGLE OF VIEW/視角 | SHEET/頁碼 | REV/版本 | | | |
| JASON | 2013.03.11 | DOUBLE SIDE NICKEL PLATED STAINLESS STEEL SUS 304 | | 1 OF 1 | B | | | |
| PACKAGE/包裝 | 10,000PCS/BAG | | | | | | | |

D

D

C

C

B

B

A

A