

4

3

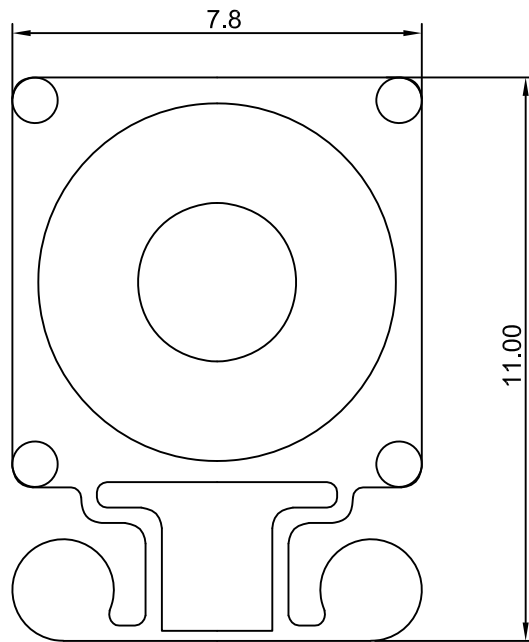
2

1

# CONNTECH

## 康尼特

### ROHS



- ◆ SPECIFICATIONS  
TRIP FORCE: 200 ± 30 g
- ◆ TESTING CONDITIONS  
FORCE TEST PROBE: HARD POINTED  
LIFE TEST PROBE: 0.1MM WOLFRAM STEEL  
LIFE TEST FORCE: 300  
LIFE TEST SPEED: 120 CYCLE / MIN  
UNLESS OTHERWISE SPECIFIED TESTING METHOD  
ACCORDING TO CONNTECH STANDARD PROCEDURE

				X.X ±0.20
				X.XX ±0.10
REV/版本	MODIFIED CONTENT /變更內容	DRAWN/繪圖	DATE/日期	TOLERANCE RANGE/公差範圍

DRAWN/繪圖	DATE/日期	<b>CONNTECH</b> THE LEADING MANUFACTURER OF FPC & FFC CONNECTOR, HOUSING AND DOME. 康尼特			
JUDY	2022.11.09	PRODUCT NAME/品名 METAL DOME			
CHECK BY/審查	DATE/日期	PART NO./料號	THICKNESS/厚度	SCALE/比例	SIZE/圖號
VIVIAN	2022.11.09	11-QNHL-200J	0.1 mm	4:1	A4
APPROVED BY/核淮	DATE/日期	MATERIAL/材質	ANGLE OF VIEW/視角	SHEET/頁碼	REV/版本
JASON	2022.11.09	DOUBLE SIDE NICKEL PLATED STAINLESS STEEL SUS 301		1 OF 1	A
PACKAGE/包裝	10,000PCS/BAG				