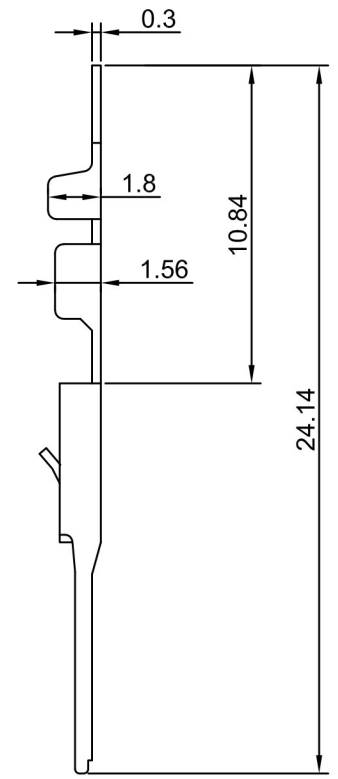
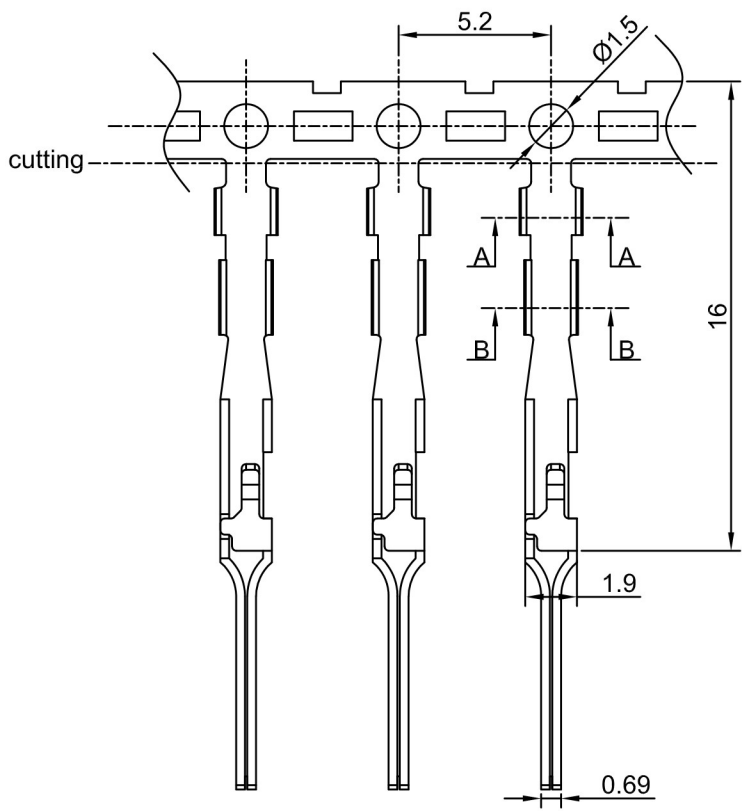
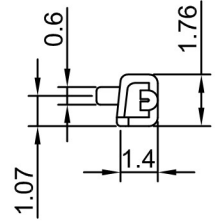


# CROWN LINK®

專業薄膜開關連接器第一品牌

RoHS



- ◆ FOR 2803 SERIES HOUSING
- ◆ SPECIFICATIONS
  - VOLTAGE RATING: 250V AC DC
  - CURRENT RATING: 3 AMP
  - DIELECTRIC WITHSTANDING VOLTAGE: AC 250V FOR 1 MINUTE
  - INSULATION RESISTANCE:  $\geq 1,000 \text{ M}\Omega$
- ◆ ENVIRONMENTAL
  - TEMPERATURE RANGE:  $-25^{\circ}\text{C} \sim +85^{\circ}\text{C}$
  - WIRE RANGE: AWG#24~#28
- ◆ PART NO.

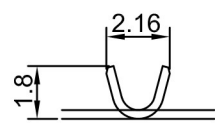
2803 - 15K - HG - M

SERIES NO.

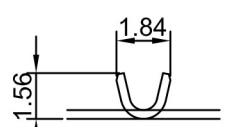
15K/REEL

MALE

HG: SELECTIVE GOLD PLATED  
OTHER PLATINGS ON REQUEST



SEC A - A



SEC B - B

X.	±0.35
X	±0.20
.XX	±0.10

TOLERANCE RANGE/公差範圍

A	FIRST DRAWING	ANNIE	2013.05.15
REV/版本	MODIFIED CONTENT /變更內容	DRAWN/繪圖	DATE/日期

DRAWN/繪圖	ANNIE	DATE/日期	2013.05.15
CHECK BY/審查	VIVIAN	DATE/日期	2013.05.15
APPROVED BY/核准	JASON	DATE/日期	2013.05.15
PACKAGE/包裝	15,000PCS/REEL		

<b>CROWN LINK® THE LEADING MANUFACTURER OF FPC &amp; FFC CONNECTOR, HOUSING AND DOME.</b>			
PRODUCT NAME/品名		5.2mm PITCH CONNECTOR FOR CABLE	
PART NO./料號	2803-15K-HG-M	SCALE/比例	4:1
MATERIAL/材質	PHOSPHOR BRONZE	SIZE/圖號	A4
		ANGLE OF VIEW/視角	1 OF 1
		SHEET/頁碼	REV/版本
			A