

4

3

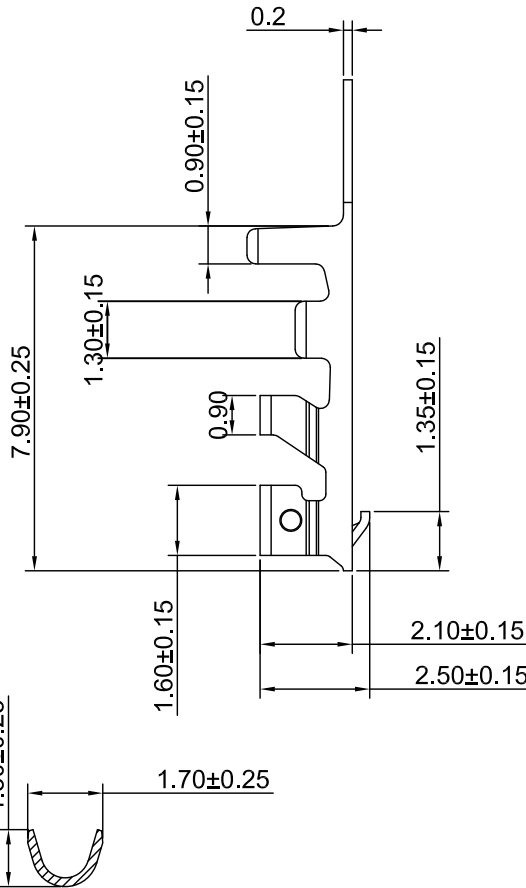
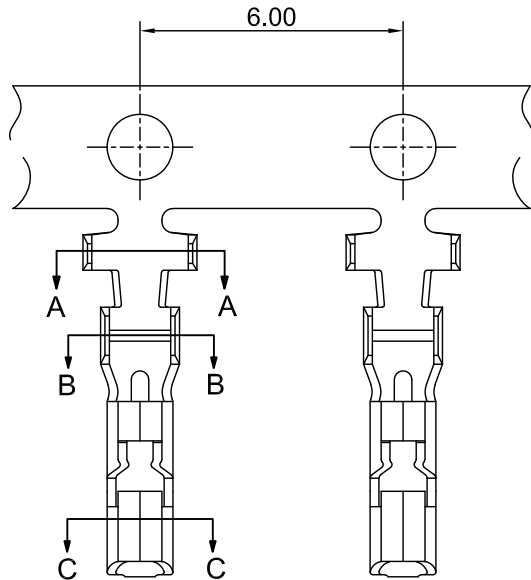
2

1

# CROWN LINK<sup>®</sup>

專業薄膜開關連接器第一品牌

ROHS



◆ FOR 2017HL SERIES HOUSING

◆ SPECIFICATIONS

VOLTAGE RATING: 250V AC,DC

CURRENT RATING: 3A AC,DC

WITHSTANDING VOLTAGE: 800V AC / MINUTE

INSULATION RESISTANCE: 1000 MΩ MIN

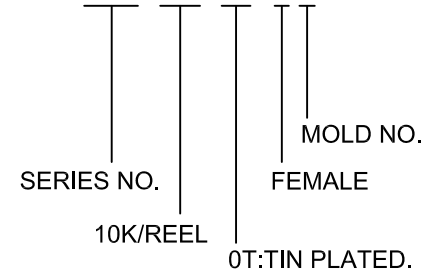
CONTACT RESISTANCE: 20mΩ MAX

TEMPERATURE RANGE: -25°C~+85°C

◆ APPLICABLE WIRE: AWG24#~30#

◆ PART NO.

2017 - 10K - 0T - F H



C-C SECTION

A-A SECTION

B-B SECTION

REV/版本	MODIFIED CONTENT /變更內容	DRAWN/繪圖	DATE/日期

X: ±0.30 X": ±2°  
 X: ±0.30 X": ±2°  
 XX: ±0.20 XX": ±1°  
 XXX: ±0.10 XXX": ±0.5°

TOLERANCE RANGE/公差範圍

DRAWN/繪圖 JUDY	DATE/日期 2023.10.10	<b>CROWN LINK<sup>®</sup> THE LEADING MANUFACTURER OF FPC &amp; FFC CONNECTOR, HOUSING AND DOME.</b>			
CHECK BY/審查 VIVIAN	DATE/日期 2023.10.10	PRODUCT NAME/品名 6.00mm PITCH CONNECTOR FOR CABLE			
APPROVED BY/核准 WENDY	DATE/日期 2023.10.10	PART NO./料號 2017-10K-0T-FH	SCALE/比例 8:1	SIZE/圖號 A4	UNIT/單位 mm
PACKAGE/包裝	10,000PCS/REEL	MATERIAL/材質 PHOSPHOR BRONZE	ANGLE OF VIEW/視角 	SHEET/頁碼 1 OF 1	REV/版本 A