

4

3

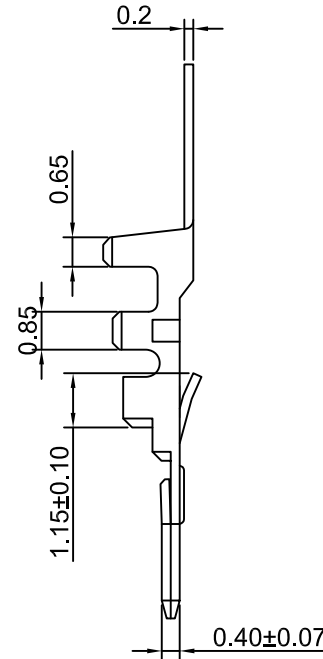
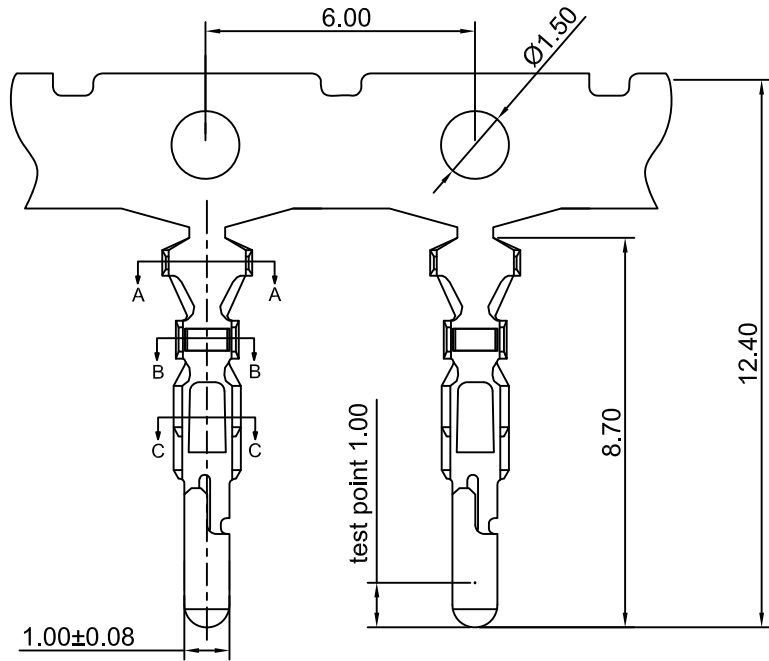
2

1

CROWN LINK[®]

專業薄膜開關連接器第一品牌

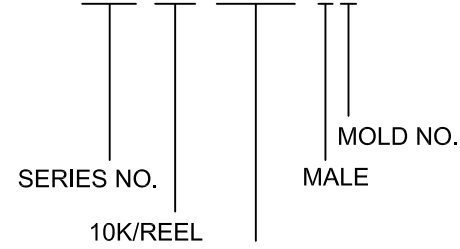
ROHS



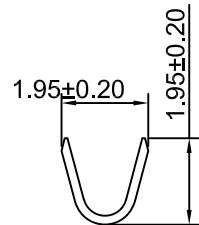
- ◆ FOR 2003H SERIES HOUSING
- ◆ SPECIFICATIONS
 - VOLTAGE RATING: 125V AC,DC
 - CURRENT RATING: 2A AC,DC
 - WITHSTANDING VOLTAGE: 500V AC / MINUTE
 - INSULATION RESISTANCE: 1000 MΩ MIN
 - CONTACT RESISTANCE: 20mΩ MAX
 - TEMPERATURE RANGE: -40°C~+105°C

- ◆ APPLICABLE WIRE: AWG22#-28#
- ◆ PART NO.

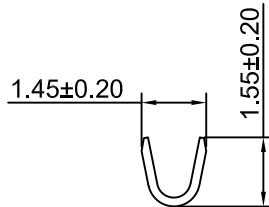
2003- 10K - 0T(0G) - M P



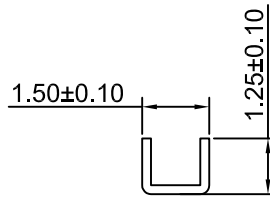
0T: TIN PLATED.
 0G: GOLD PLATED.
 OTHER PLATINGS ON REQUEST.



A-A SECTION



B-B SECTION



C-C SECTION

REV/版本	MODIFIED CONTENT /變更內容	DRAWN/繪圖	DATE/日期	TOLERANCE RANGE/公差範圍
				X: ±0.50 X": ±1" X: ±0.30 X": ±0.11" .XX ±0.20 .XX": ±0.01" .XXX ±0.05 .XXX": ±0.005"

DRAWN/繪圖 JUDY	DATE/日期 2023.06.01	CROWN LINK[®] THE LEADING MANUFACTURER OF FPC & FFC CONNECTOR, HOUSING AND DOME. PRODUCT NAME/品名 6.00mm PITCH CONNECTOR FOR CABLE			
CHECK BY/審查 VIVIAN	DATE/日期 2023.06.01				
APPROVED BY/核准 WENDY	DATE/日期 2023.06.01	PART NO./料號 2003-10K-0T(0G)-MP	SCALE/比例 8:1	SIZE/圖號 A4	UNIT/單位 mm
PACKAGE/包裝	10,000PCS/REEL	MATERIAL/材質 PHOSPHOR BRONZE	ANGLE OF VIEW/視角 	SHEET/頁碼 1 OF 1	REV/版本 A