

4

3

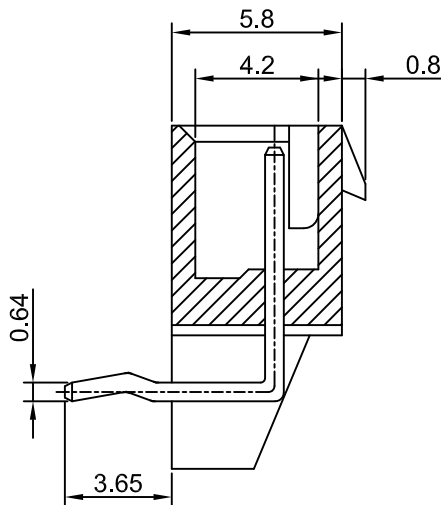
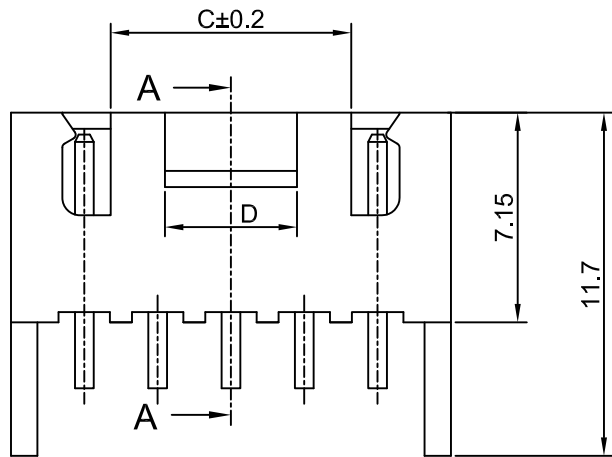
2

1

CROWN LINK®

專業薄膜開關連接器第一品牌

ROHS



SECTION A - A
BOTH SIDE PIN CURVED

◆ SPECIFICATIONS

VOLTAGE RATING: 250 V AC , DC

CURRENT RATING: 2 A

CONTACT RESISTANCE: 20 MΩ MAX

INSULATION RESISTANCE: 1000 MΩ MIN

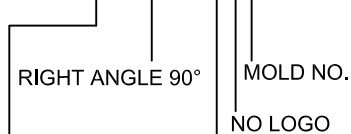
WITHSTANDING VOLTAGE: 600V AC / MINUTE

◆ ENVIRONMENTAL

TEMPERATURE RANGE: -20°C~+85°C

◆ PART NO.

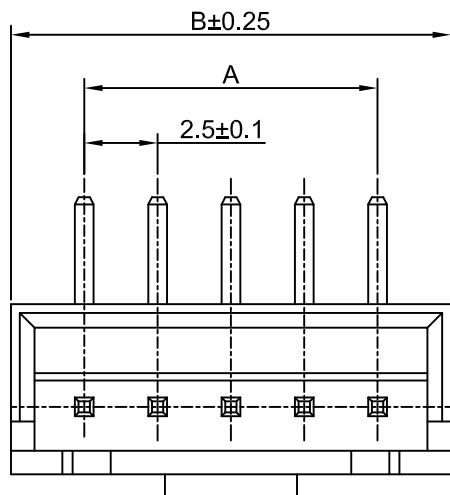
CL2507AR - XXNA



CIRCUITS NUMBER 03 TO 16

◆ SPECIFIED TOLERANCE

PIN NO.	A	B	C	D	PIN NO.	A	B	C	D
03	5.0	10.0	3.2	3.2	10	22.5	27.5	20.7	4.5
04	7.5	12.5	5.7		11	25.0	30.0	23.2	
05	10.0	15.0	8.2	4.5	12	27.5	32.5	25.7	
06	12.5	17.5	10.7		13	30.0	35.0	28.2	
07	15.0	20.0	13.2		14	32.5	37.5	30.7	
08	17.5	22.5	5.08	4.5	15	35.0	40.0	33.2	
09	20.0	25.0	18.2		16	37.5	42.5	35.7	



REV/版本	MODIFIED CONTENT /變更內容	DRAWN/繪圖	DATE/日期	TOLERANCE RANGE/公差範圍
				.X ±0.25
				.XX ±0.15
				.XXX ±0.10

DRAWN/繪圖	DATE/日期
ANNIE	2013.05.06
CHECK BY/審查	DATE/日期
VIVIAN	2013.05.06
APPROVED BY/核准	DATE/日期
JASON	2013.05.06
PACKAGE/包裝	
	03-16PIN 2,000 PCS/BAG

CROWN LINK® THE LEADING MANUFACTURER OF FPC & FFC CONNECTOR, HOUSING AND DOME.					
PRODUCT NAME/品名					
2.50mm PITCH HOUSING FOR CABLE					
PART NO./料號	PIN NUMBER/針數	SCALE/比例	SIZE/圖號	UNIT/單位	
CL2507AR- XXNA	03-16 PIN	4:1	A4	mm	
MATERIAL/材質	COLOR/顏色	ANGLE OF VIEW/視角	SHEET/頁碼	REV/版本	
BRASS & PA66	WHITE COLOR		1 OF 1	D	

D

C

B

A

D

C

B

A