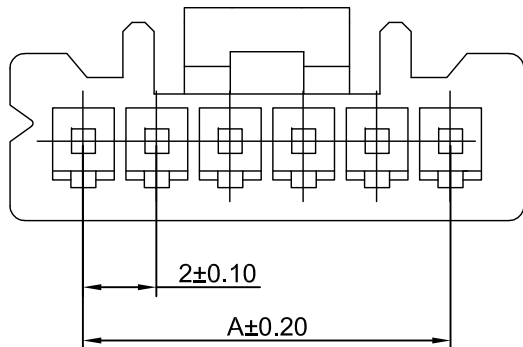
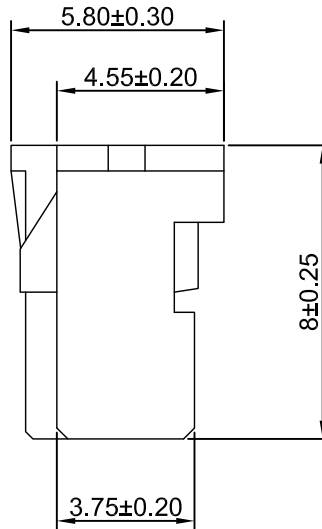
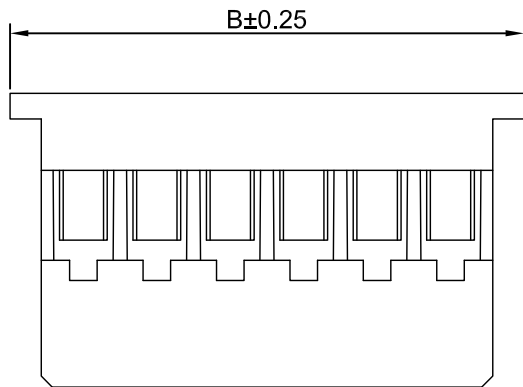


CROWN LINK[®]

專業薄膜開關連接器第一品牌

RoHS



- ◆ FOR 2026 SERIES CONNECTOR
- ◆ SPECIFICATIONS
 - VOLTAGE RATING: 100V AC , DC
 - CURRENT RATING: 3A AC , DC
 - CONTACT RESISTANCE: 20mΩ MAX
 - INSULATION RESISTANCE: 1000 MΩ MIN.
- ◆ ENVIRONMENTAL
 - TEMPERATURE RANGE: -25°C~+85°C
 - WITHSAND VOLTAGE: 800 V AC / MINUTE

◆ PART NO.
 2026HL - XX N H
 SERIES NO. MOLD NO.
 NO LOGO
 CIRCUITS NUMBER 02 TO 12 OR 16

Part NO.	Dimensions	
	A	B
02	2.00	6.00
03	4.00	8.00
04	6.00	10.00
05	8.00	12.00
06	10.00	14.00
07	12.00	16.00
08	14.00	18.00
09	16.00	20.00
10	18.00	22.00
11	20.00	24.00
12	22.00	26.00
16	30.00	34.00

REV/版本	MODIFIED CONTENT /變更內容	DRAWN/繪圖	DATE/日期

TOLERANCE RANGE/公差範圍
 X .±0.30 X." ±2"
 .X ±0.30 X" ±2"
 .XX ±0.20 .XX" ±1"
 .XXX ±0.10 .XXX" ±0.5"

DRAWN/繪圖 JUDY	DATE/日期 2023.11.08	CROWN LINK[®] THE LEADING MANUFACTURER OF FPC & FFC CONNECTOR, HOUSING AND DOME.				
CHECK BY/審查 VIVIAN	DATE/日期 2023.11.08	PRODUCT NAME/品名 2.00mm XHB HOUSING FOR CABLE(PA)				
APPROVED BY/核准 JASON	DATE/日期 2023.11.08	PART NO./料號 2026HL-XXNH	PIN NUMBER/針數 02-12OR16 PIN	SCALE/比例 4:1	SIZE/圖號 A4	UNIT/單位 mm
PACKAGE/包裝	2,000/BAG	MATERIAL/材質 NY66 UL 94V-0	COLOR/顏色 WHITE	ANGLE OF VIEW/視角 	SHEET/頁碼 1 OF 1	REV/版本 A