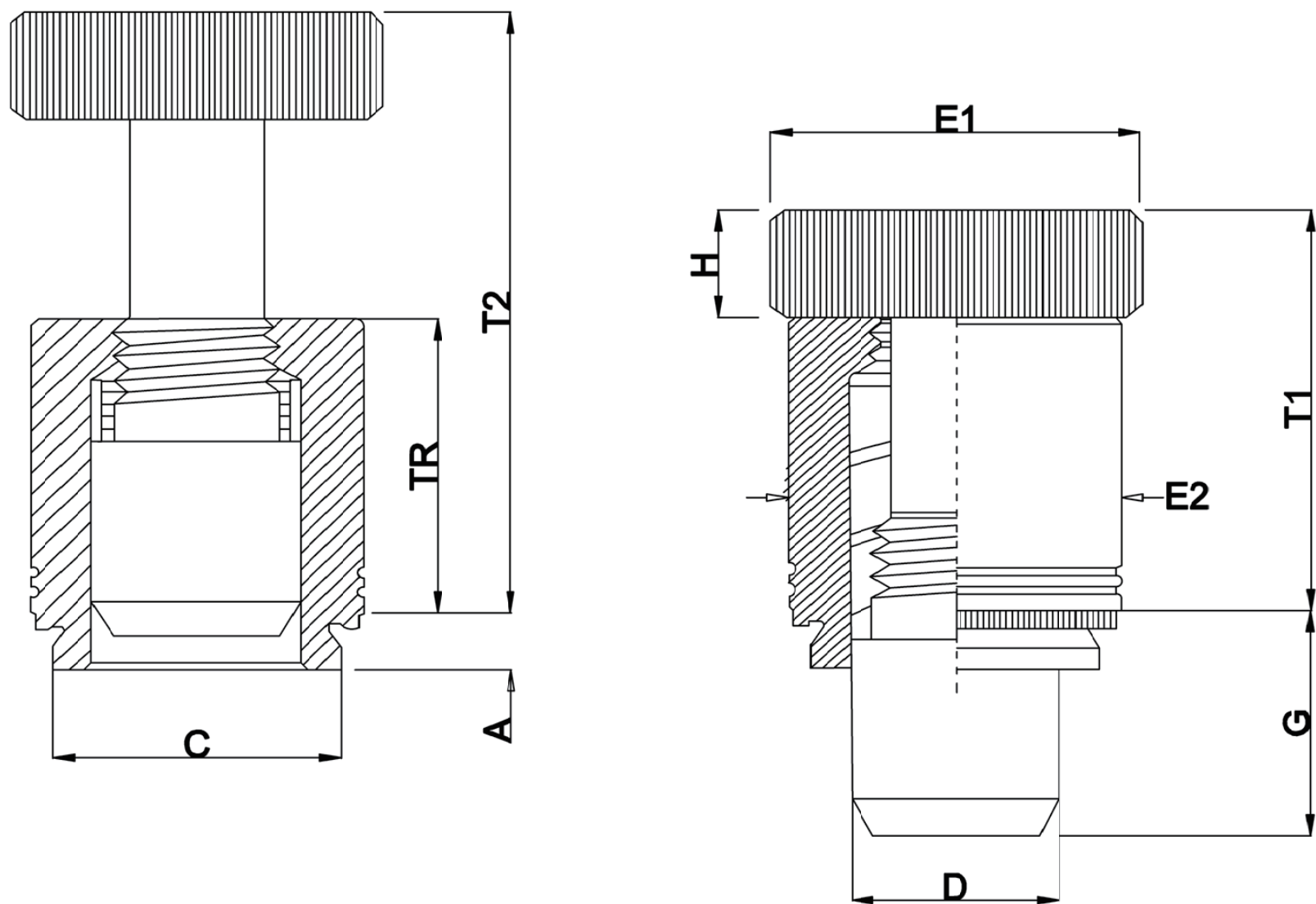


產品尺寸

Product Size



尺寸單位:英寸 / All Dimensions Are In Inches

型號 Type	活塞直徑 PLUNGER DIAMETER R CODE	活塞長度 Plunger Length Code	最小板厚 Min Sheet Thickness	安裝孔 Hole Size In Sheet +.003 -.000	C Max.	D +.000 -.005	E1 ±.010	E2 ±.010	G ±.010	H ±.010	T1 ±.010	T2 Nom	TR ±.005	最小邊距 Min.Dist. Hole C/L To Edge
PTL2	04	4	.060	.328	.327	.250	.50	.406	.310	.17	.595	.895	.430	.34
PSL2	04	4	.060	.328	.327	.250	.50	.406	.310	.17	.510	.780	.350	.34

尺寸單位:毫米MM / All Dimensions Are In Millimeters

型號 Type	活塞直徑 PLUNGER DIAMETER R CODE	活塞長度 Plunger Length Code	最小板厚 Min Sheet Thickness	安裝孔 Hole Size In Sheet +.008	C Max.	D -0.13	E1 ±0.25	E2 ±0.25	G ±0.25	H ±0.25	T1 ±0.25	T2 Nom	TR ±0.13	最小邊距 Min.Dist. Hole C/L To Edge
PTL2	04	4	1.53	8.33	8.31	6.35	12.7	10.3	7.87	4.32	15.11	22.73	10.92	8.64
PSL2	04	4	1.53	8.33	8.31	6.35	12.7	10.3	7.87	4.32	12.95	19.81	8.89	8.64