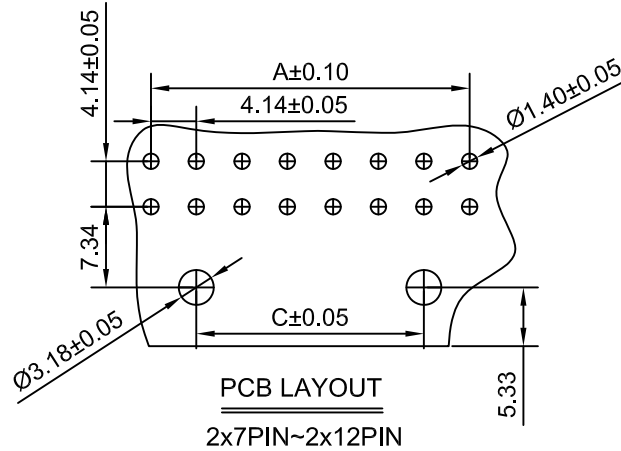
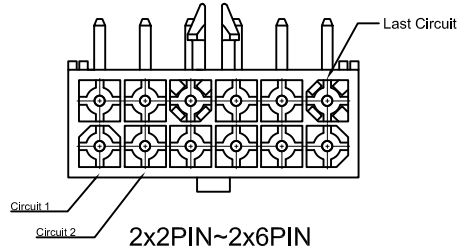


# CROWN LINK®

## 專業薄膜開關連接器第一品牌

# ROHS



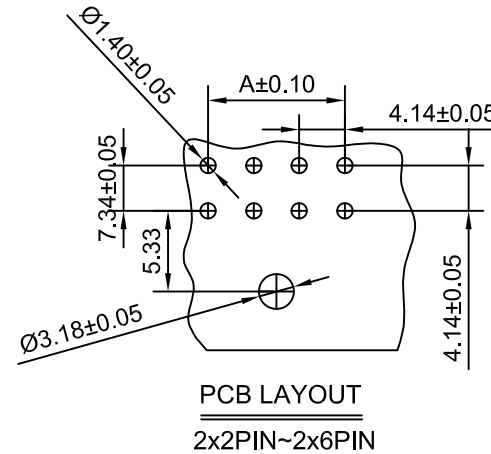
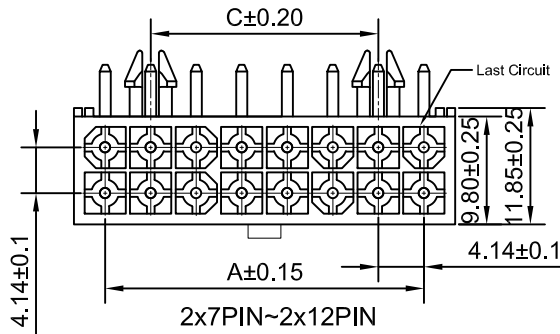
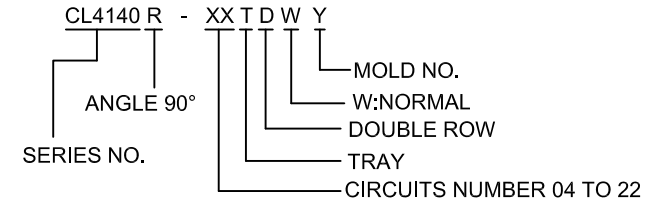
### ◆ SPECIFICATIONS

- VOLTAGE RATING: 600V AC,DC
- CURRENT RATING: 9A AC,DC
- CONTACT RESISTANCE: 10 mΩ
- INSULATION RESISTANCE: 1000 MΩ
- WITHSTANDING VOLTAGE: 1500V

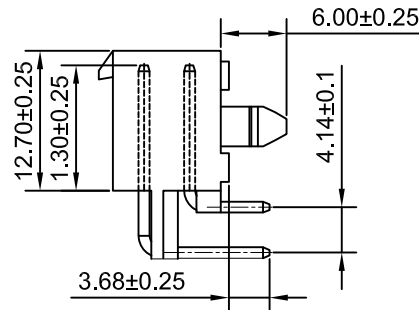
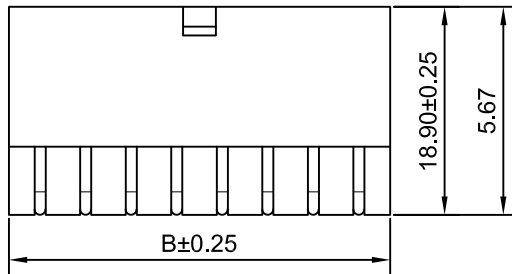
### ◆ ENVIRONMENTAL

- TEMPERATURE RANGE: -40°C~+105°C

### ◆ PART NO.



PIN NO.	A	B	C
04	4.14	9.83	/
06	8.28	13.97	/
08	12.42	18.11	/
10	16.56	22.25	/
12	20.70	26.39	/
14	24.84	30.56	16.56
16	28.98	34.70	20.70
18	33.12	38.84	16.56
20	37.26	42.98	20.70
22	41.40	47.12	24.81
24	45.54	51.26	20.70



REV/版本	MODIFIED CONTENT /變更內容	DRAWN/繪圖	DATE/日期	TOLERANCE RANGE/公差範圍
				X. ±0.50 .X ±0.30 .XX ±0.20 .XXX ±0.05

DRAWN/繪圖	DATE/日期	CROWN LINK® THE LEADING MANUFACTURER OF FPC & FFC CONNECTOR, HOUSING AND DOME.				
JUDY	2022.04.09	PRODUCT NAME/品名 4.14mm DOUBLE ROW PITCH 90° WAFER				
CHECK BY/審查	DATE/日期	PART NO./料號	PIN NUMBER/針數	SCALE/比例	SIZE/圖號	UNIT/單位
VIVIAN	2022.04.09	CL4140R-XXTDWY	4-22 PIN	3:1	A4	mm
APPROVED BY/核准	DATE/日期	MATERIAL/材質	COLOR/顏色	ANGLE OF VIEW/視角	SHEET/頁碼	REV/版本
JASON	2022.04.09	BRASS TIN PLATED & NY66 UL 94V-2	WHITE	30°	1 OF 1	A
PACKAGE/包裝		TRAY				