

4

3

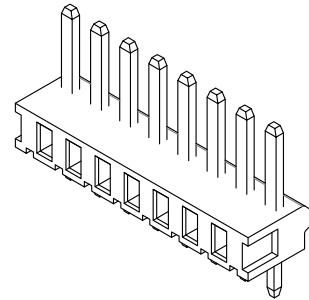
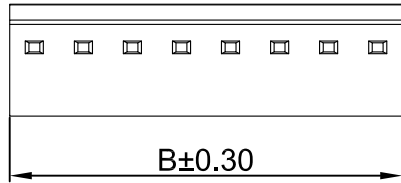
2

1

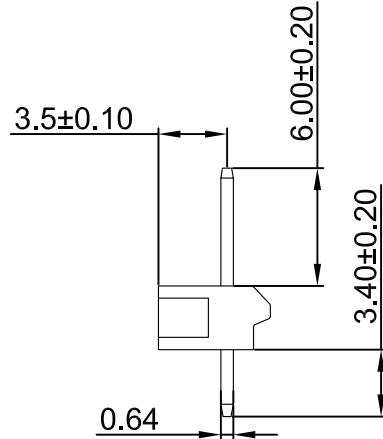
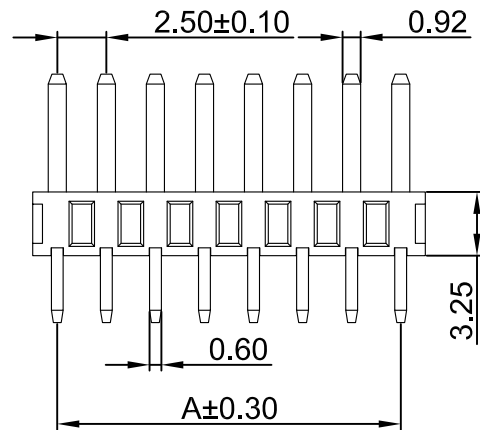
CROWN LINK[®]

專業薄膜開關連接器第一品牌

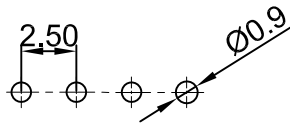
RoHS



- ◆ FOR 2502H HOUSING
- ◆ SPECIFICATIONS
 - VOLTAGE RATING: 250V AC, DC
 - CURRENT RATING: 3 A AC,DC
 - CONTACT RESISTANCE: 20mΩ MAX
 - INSULATION RESISTANCE: 1000 MΩ MIN
 - WITHSTANDING VOLTAGE: 1000V AC / MINUTE
- ◆ ENVIRONMENTAL
 - TEMPERATURE RANGE: -25°C~+85°C



- ◆ PART NO.
- CL2502 V - XX N L
- ANGLE 180°
- MOLD NO.
NO LOGO
- CIRCUITS NUMBER 02 TO 10
- SERIES NO.



P.C.B LAYOUT

Part NO.	Dimensions	
	A	B
02	2.50	5.00
03	5.00	7.50
04	7.50	10.00
05	10.00	12.50
06	12.50	15.00
07	15.00	17.50
08	17.50	20.00
09	20.00	22.50
10	22.50	25.00

REV/版本	MODIFIED CONTENT /變更內容	DRAWN/繪圖	DATE/日期

TOLERANCE RANGE/公差範圍
X .±0.50 X [^] ±1 [°]
.X ±0.30 .X [^] ±0.1 [°]
.XX ±0.20 .XX [^] ±0.01 [°]
.XXX ±0.05 .XXX [^] ±0.005 [°]

DRAWN/繪圖	DATE/日期	CROWN LINK[®] THE LEADING MANUFACTURER OF FPC & FFC CONNECTOR, HOUSING AND DOME.				
JUDY	2023.07.17	PRODUCT NAME/品名				
CHECK BY/審查	DATE/日期	2.50mm XHB Wafer for Cable				
VIVIAN	2023.07.17	PART NO./料號	PIN NUMBER/針數	SCALE/比例	SIZE/圖號	UNIT/單位
APPROVED BY/核准	DATE/日期	CL2502V- XXNL	02-10 PIN	3:1	A4	mm
JASON	2023.07.17	MATERIAL/材質	COLOR/顏色	ANGLE OF VIEW/視角	SHEET/頁碼	REV/版本
PACKAGE/包裝	BAG	BRASS/TIN PA66 UL94V-0	NATURAL		1 OF 1	D