

4

3

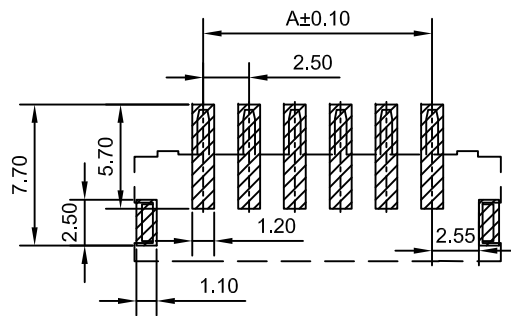
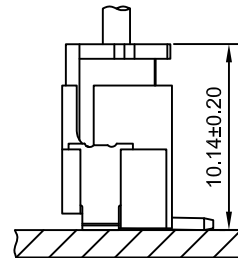
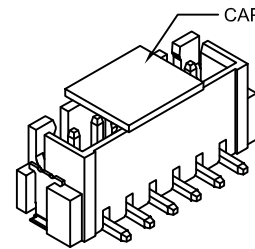
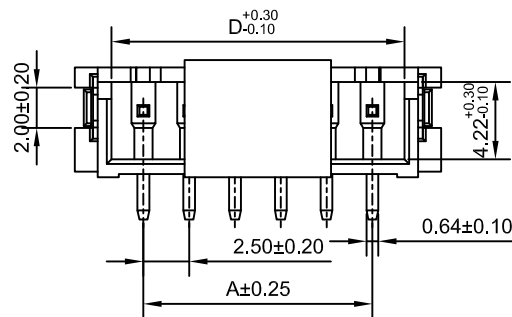
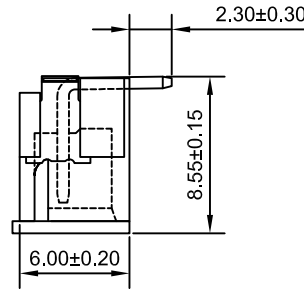
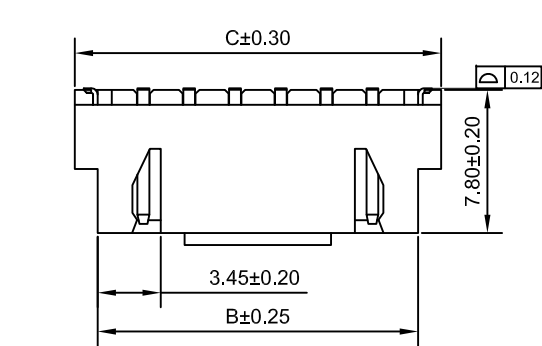
2

1

CROWN LINK[®]

專業薄膜開關連接器第一品牌

ROHS



P.C.B LAYOUT

- ◆ FOR 2501H HOUSING
- ◆ SPECIFICATIONS
 - VOLTAGE RATING: 250V AC,DC
 - CURRENT RATING: 3A AC,DC
 - CONTACT RESISTANCE: 20 mΩ MAX
 - INSULATION RESISTANCE: 1000 MΩ MIN
 - WITHSTANDING VOLTAGE: 1000V AC / MINUTE
- ◆ ENVIRONMENTAL
 - TEMPERATURE RANGE: -25°C~+105°C

◆ PART NO.

CL2501 S - XX V N P

SMT MOLD NO. NO LOGO VERTICAL

SERIES NO. CIRCUITS NUMBER 02 TO 16

Part No.	Dimensions			
	A	B	C	D
02	2.50	7.50	10.00	6.00
03	5.00	10.00	12.50	8.50
04	7.50	12.50	15.00	11.00
05	10.00	15.00	17.50	13.50
06	12.50	17.50	20.00	16.00
07	15.00	20.00	22.50	18.50
08	17.50	22.50	25.00	21.00
09	20.00	25.00	27.50	23.50
10	22.50	27.50	30.00	26.00
11	25.00	30.00	32.50	28.50
12	27.50	32.50	35.00	31.00
13	30.00	35.00	37.50	33.50
14	32.50	37.50	40.00	36.00
15	35.00	40.00	42.50	38.50
16	37.50	42.50	45.00	41.00

X. ±0.50 X° ±1°
 .X ±0.30 .X° ±0.1°
 .XX ±0.20 .XX° ±0.01°
 .XXX ±0.10 .XXX° ±0.005°

TOLERANCE RANGE/公差範圍

DRAWN/繪圖	DATE/日期	CROWN LINK[®] THE LEADING MANUFACTURER OF FPC & FFC CONNECTOR, HOUSING AND DOME.				
JUDY	2023.07.12	PRODUCT NAME/品名 2.50mm PITCH SMT WAFER				
CHECK BY/審查	DATE/日期	PART NO./料號	PIN NUMBER/針數	SCALE/比例	SIZE/圖號	UNIT/單位
VIVIAN	2023.07.12	CL2501S-XXVNP	02-16 PIN	5:1	A4	mm
APPROVED BY/核准	DATE/日期	MATERIAL/材質	COLOR/顏色	ANGLE OF VIEW/視角	SHEET/頁碼	REV/版本
JASON	2023.07.12	BRASS TIN	NATURAL	⊕	1 OF 1	A
PACKAGE/包裝	REEL	LCP UL 94V-0				

REV/版本	MODIFIED CONTENT /變更內容	DRAWN/繪圖	DATE/日期