

4

3

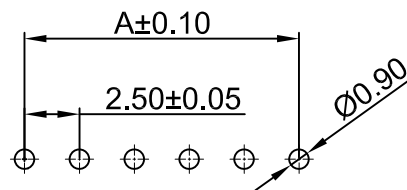
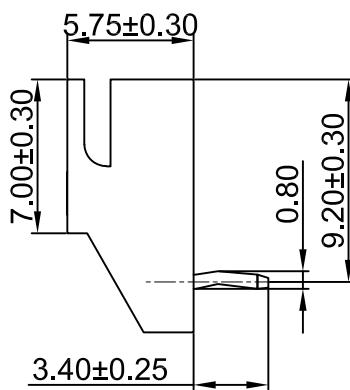
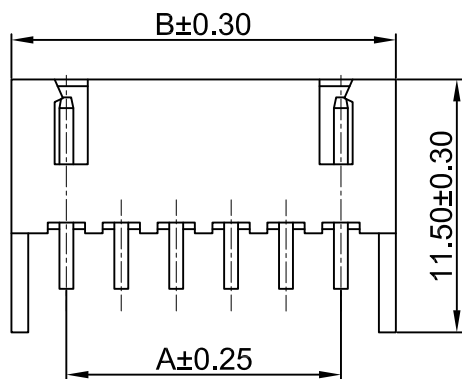
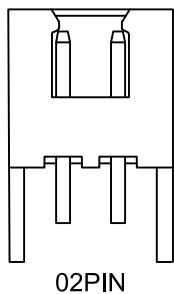
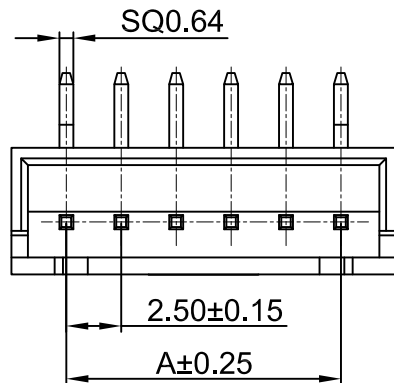
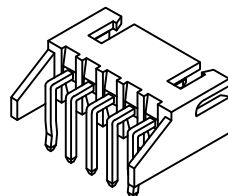
2

1

CROWN LINK[®]

專業薄膜開關連接器第一品牌

RoHS



- ◆ FOR 2501H HOUSING
- ◆ SPECIFICATIONS
 - VOLTAGE RATING: 250V AC, DC
 - CURRENT RATING: 3 A AC,DC
 - CONTACT RESISTANCE: 10mΩ MAX
 - INSULATION RESISTANCE: 1000 MΩ MIN
 - WITHSTANDING VOLTAGE: 800V AC / MINUTE

- ◆ ENVIRONMENTAL
 - TEMPERATURE RANGE: -25°C~+85°C

◆ PART NO.

CL2501 R - XX N P

ANGLE 90°

SERIES NO.

MOLD NO.

NO LOGO

CIRCUITS NUMBER 02 TO 20

Part NO.	Dimensions		Part NO.	Dimensions	
	A	B		A	B
02	2.50	7.50	12	27.50	32.50
03	5.00	10.00	13	30.00	35.00
04	7.50	12.50	14	32.50	37.50
05	10.00	15.00	15	35.00	40.00
06	12.50	17.50	16	37.50	42.50
07	15.00	20.00	17	40.00	45.00
08	17.50	22.50	18	42.50	47.50
09	20.00	25.00	19	45.00	50.00
10	22.50	27.50	20	47.50	52.50
11	25.00	30.00			

REV/版本	MODIFIED CONTENT /變更內容	DRAWN/繪圖	DATE/日期

TOLERANCE RANGE/公差範圍

X: ±0.50 X*: ±1°

X: ±0.30 X*: ±0.1°

.XX ±0.20 .XX*: ±0.01°

.XXX ±0.05 .XXX*: ±0.005°

DRAWN/繪圖	DATE/日期
JUDY	2023.07.07
CHECK BY/審查	DATE/日期
VIVIAN	2023.07.07
APPROVED BY/核准	DATE/日期
JASON	2023.07.07
PACKAGE/包裝	BAG

CROWN LINK[®] THE LEADING MANUFACTURER OF FPC & FFC CONNECTOR, HOUSING AND DOME.					
PRODUCT NAME/品名					
2.50mm XHB Wafer for Cable					
PART NO./料號	PIN NUMBER/針數	SCALE/比例	SIZE/圖號	UNIT/單位	
CL2501R-XXNP	02-20 PIN	3:1	A4	mm	
MATERIAL/材質	COLOR/顏色	ANGLE OF VIEW/視角	SHEET/頁碼	REV/版本	
BRASS/TIN NY66 UL94V-0	NATURAL		1 OF 1	D	