

4

3

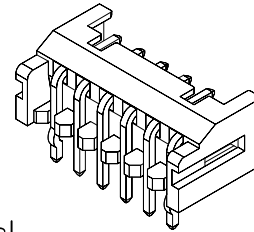
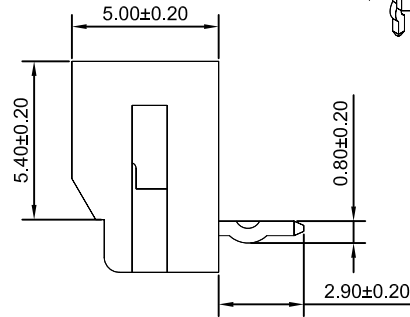
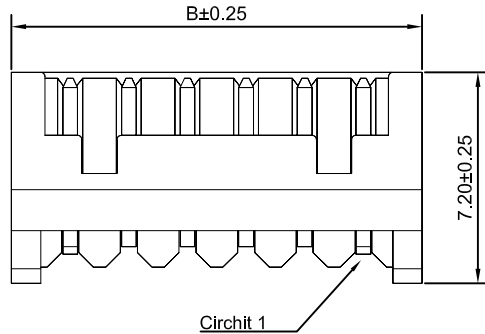
2

1

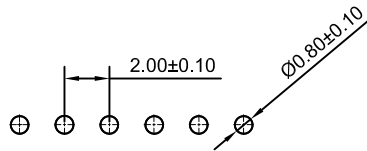
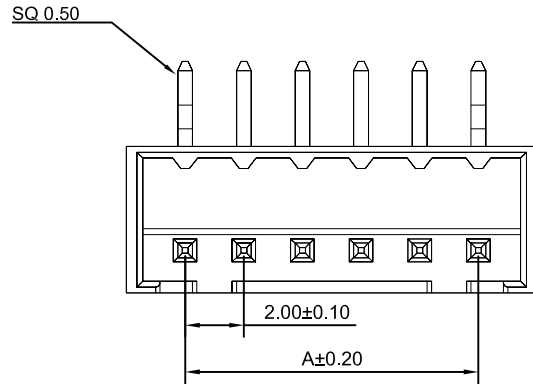
CROWN LINK®

專業薄膜開關連接器第一品牌

ROHS



- ◆ FOR 2011H HOUSING
- ◆ SPECIFICATIONS
 - VOLTAGE RATING: 250V AC, DC
 - CURRENT RATING: 3A AC, DC
 - CONTACT RESISTANCE: 30 mΩ MAX
 - INSULATION RESISTANCE: 1000 MΩ MIN
 - WITHSTANDING VOLTAGE: 650V AC / MINUTE
- ◆ ENVIRONMENTAL
 - TEMPERATURE RANGE: -25°C TO +85°C
- ◆ PART NO.
 - CL2011 R - XX N P
 - ANGLE 90°
 - MOLD NO.
 - NO LOGO
 - CIRCUITS NUMBER 02 TO 15
 - SERIES NO.



P.C.B LAYOUT

Part NO.	Dimensions		Part NO.	Dimensions	
	A	B		A	B
02	2.00	6.00	09	16.00	20.00
03	4.00	8.00	10	18.00	22.00
04	6.00	10.00	11	20.00	24.00
05	8.00	12.00	12	22.00	26.00
06	10.00	14.00	13	24.00	28.00
07	12.00	16.00	14	26.00	30.00
08	14.00	18.00	15	28.00	32.00

REV/版本	MODIFIED CONTENT /變更內容	DRAWN/繪圖	DATE/日期	TOLERANCE RANGE/公差範圍
				X. ±0.50 X.* ±1° .X ±0.30 .X* ±0.1° .XX ±0.20 .XX* ±0.01° .XXX ±0.05 .XXX* ±0.005°

DRAWN/繪圖 JUDY	DATE/日期 2023.07.19	CROWN LINK® THE LEADING MANUFACTURER OF FPC & FFC CONNECTOR, HOUSING AND DOME.			
CHECK BY/審查 VIVIAN	DATE/日期 2023.07.19	PRODUCT NAME/品名 2.0mm PITCH 90° WAFER			
APPROVED BY/核准 WENDY	DATE/日期 2023.07.19	PART NO./料號 CL2011R-XXNPN	PIN NUMBER/針數 02-15PIN	SCALE/比例 3:1	SIZE/圖號 A4
PACKAGE/包裝	BAG	MATERIAL/材質 BRASS TIN NY66 UL94V-0	COLOR/顏色 BLACK	ANGLE OF VIEW/視角 	SHEET/頁碼 1 OF 1
				UNIT/單位 mm	REV/版本 C