

4

3

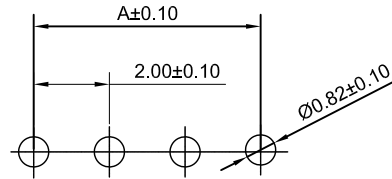
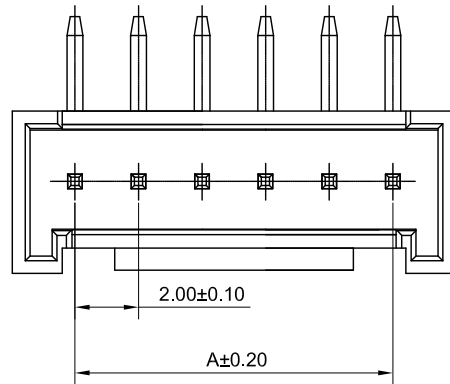
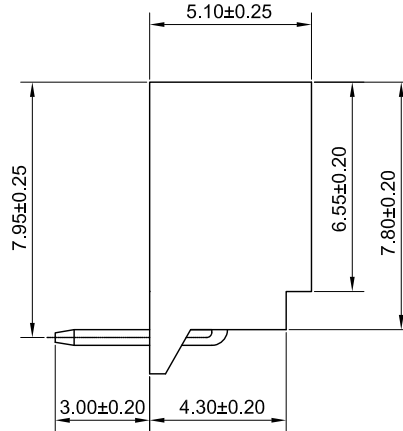
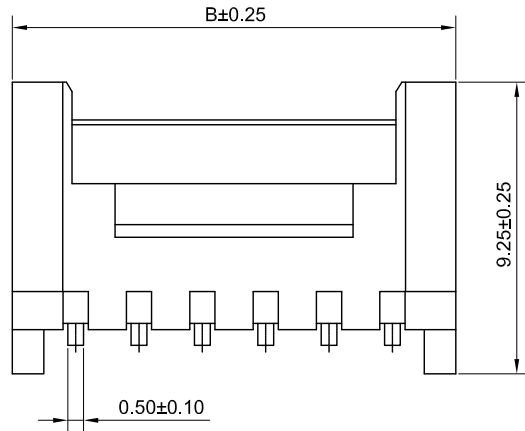
2

1

CROWN LINK®

專業薄膜開關連接器第一品牌

ROHS



P.C.B LAYOUT

- ◆ FOR 2005HL HOUSING
- ◆ SPECIFICATIONS
 - VOLTAGE RATING: 250V AC, DC
 - CURRENT RATING: 2A AC, DC
 - CONTACT RESISTANCE: 20 mΩ MAX
 - INSULATION RESISTANCE: 1000 MΩ MIN
 - WITHSTANDING VOLTAGE: 1000V AC / MINUTE
- ◆ ENVIRONMENTAL
 - TEMPERATURE RANGE: -25°C ~ +85°C
- ◆ PART NO.
 - CL2005 R - XX N H
 - ANGLE 90°
 - MOLD NO.
 - NO LOGO
 - CIRCUITS NUMBER 02 TO 12 OR 20
 - SERIES NO.

Part NO.	Dimensions	
	A	B
02	2.00	6.00
03	4.00	8.00
04	6.00	10.00
05	8.00	12.00
06	10.00	14.00
07	12.00	16.00
08	14.00	18.00
09	16.00	20.00
10	18.00	22.00
11	20.00	24.00
12	22.00	26.00
20	38.00	42.00

REV/版本	MODIFIED CONTENT /變更內容	DRAWN/繪圖	DATE/日期	TOLERANCE RANGE/公差範圍
				X. ±0.50 X." ±3° X ±0.30 X" ±2° .XX ±0.20 .XX" ±1° .XXX ±0.10 .XXX" ±0.5°

DRAWN/繪圖 JUDY	DATE/日期 2023.08.25	CROWN LINK® THE LEADING MANUFACTURER OF FPC & FFC CONNECTOR, HOUSING AND DOME.				
CHECK BY/審查 VIVIAN	DATE/日期 2023.08.25	PRODUCT NAME/品名 2.00mm PITCH 90° WAFER				
APPROVED BY/核准 WENDY	DATE/日期 2023.08.25	PART NO./料號 CL2005R-XXNH	PIN NUMBER/針數 02-12OR20PIN	SCALE/比例 3:1	SIZE/圖號 A4	UNIT/單位 mm
PACKAGE/包裝	2,000PCS/BAG	MATERIAL/材質 BRASS TIN PA66 UL94V-0	COLOR/顏色 NATURAL	ANGLE OF VIEW/視角 	SHEET/頁碼 1 OF 1	REV/版本 C