

4

3

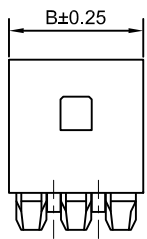
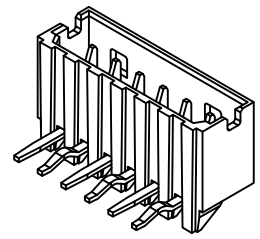
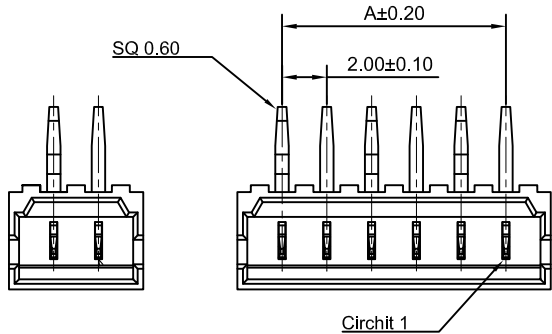
2

1

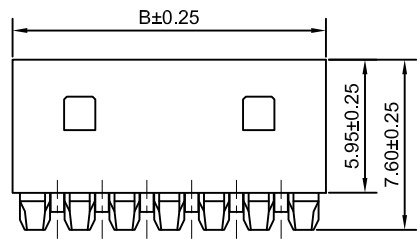
# CROWN LINK<sup>®</sup>

## 專業薄膜開關連接器第一品牌

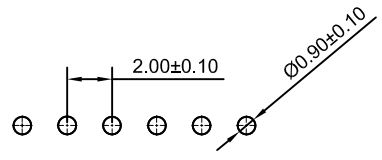
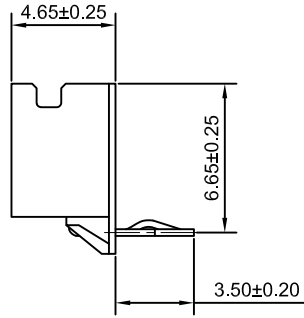
ROHS



02PIN



03~15PIN



P.C.B LAYOUT

- ◆ FOR 2004H HOUSING
- ◆ SPECIFICATIONS
  - VOLTAGE RATING: 125V AC, DC
  - CURRENT RATING: 2A AC, DC
  - CONTACT RESISTANCE: 20 mΩ MAX
  - INSULATION RESISTANCE: 1000 MΩ MIN
  - WITHSTANDING VOLTAGE: 800V AC / MINUTE
- ◆ ENVIRONMENTAL
  - TEMPERATURE RANGE: -40°C TO +105°C
- ◆ PART NO.
  - CL2004 R - XX N P
  - ANGLE 90°
  - MOLD NO.
  - NO LOGO
  - CIRCUITS NUMBER 02 TO 15
  - SERIES NO.

Part NO.	Dimensions		Part NO.	Dimensions	
	A	B		A	B
02	2.00	6.00	09	16.00	20.00
03	4.00	8.00	10	18.00	22.00
04	6.00	10.00	11	20.00	24.00
05	8.00	12.00	12	22.00	26.00
06	10.00	14.00	13	24.00	28.00
07	12.00	16.00	14	26.00	30.00
08	14.00	18.00	15	28.00	32.00

REV/版本	MODIFIED CONTENT /變更內容	DRAWN/繪圖	DATE/日期	TOLERANCE RANGE/公差範圍
				X. ±0.50 X.° ±1° .X ±0.30 .X° ±0.1° .XX ±0.20 .XX° ±0.01° .XXX ±0.05 .XXX° ±0.005°

DRAWN/繪圖 JUDY	DATE/日期 2023.07.31	<b>CROWN LINK<sup>®</sup> THE LEADING MANUFACTURER OF FPC &amp; FFC CONNECTOR, HOUSING AND DOME.</b> PRODUCT NAME/品名 2.0mm PITCH 90° WAFER				
CHECK BY/審查 VIVIAN	DATE/日期 2023.07.31					
APPROVED BY/核准 WENDY	DATE/日期 2023.07.31	PART NO./料號 CL2004R-XXNPN	PIN NUMBER/針數 02-15PIN	SCALE/比例 3:1	SIZE/圖號 A4	UNIT/單位 mm
PACKAGE/包裝	BAG	MATERIAL/材質 BRASS TIN NY66 UL94V-0	COLOR/顏色 NATURAL	ANGLE OF VIEW/視角 	SHEET/頁碼 1 OF 1	REV/版本 C