

4

3

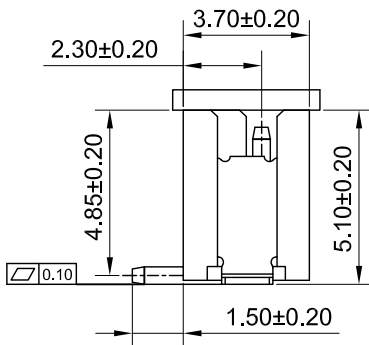
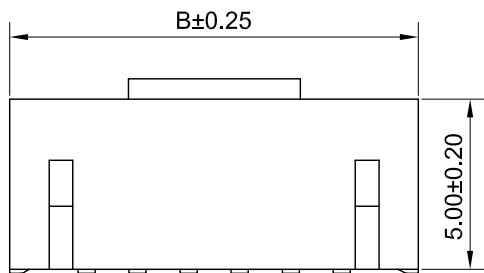
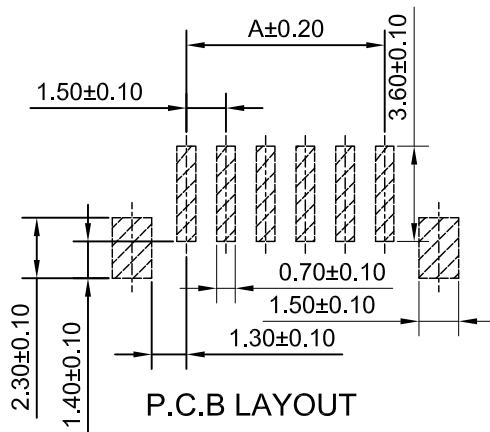
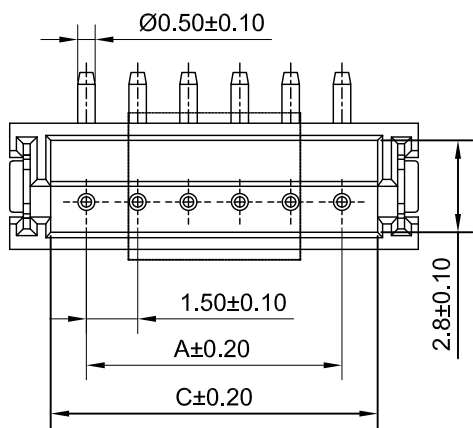
2

1

CROWN LINK®

專業薄膜開關連接器第一品牌

ROHS



- ◆ FOR 1502H HOUSING
- ◆ SPECIFICATIONS
 - VOLTAGE RATING: 100V AC,DC
 - CURRENT RATING: 1A AC,DC
 - CONTACT RESISTANCE: 20 mΩ MAX
 - INSULATION RESISTANCE: 500 MΩ MIN
 - WITHSTANDING VOLTAGE: 500V AC / MINUTE

- ◆ ENVIRONMENTAL
 - TEMPERATURE RANGE: -25°C~+85°C

◆ PART NO.
 CL1502 S - XX V N H
 SMT MOLD NO.
 NO LOGO
 VERTICAL
 SERIES NO. CIRCUITS NUMBER 02 TO 20

Part NO.	Dimensions			Part NO.	Dimensions		
	A	B	C		A	B	C
02	1.50	6.00	3.70	12	16.50	21.00	18.70
03	3.00	7.50	5.20	13	18.00	22.50	20.20
04	4.50	9.00	6.70	14	19.50	24.00	21.70
05	6.00	10.50	8.20	15	21.00	25.50	23.20
06	7.50	12.00	9.70	16	22.50	27.00	24.70
07	9.00	13.50	11.20	17	24.00	28.50	26.20
08	10.50	15.00	12.70	18	25.50	30.00	27.70
09	12.00	16.50	14.20	19	27.00	31.50	29.20
10	13.50	18.00	15.70	20	28.50	33.00	30.70
11	15.00	19.50	17.20				

REV/版本	MODIFIED CONTENT /變更內容	DRAWN/繪圖	DATE/日期	TOLERANCE RANGE/公差範圍
				X . ±0.50 X.* ±3° .X ±0.30 .X* ±2° .XX ±0.20 .XX* ±1° .XXX ±0.10 .XXX* ±0.5°

DRAWN/繪圖 JUDY	DATE/日期 2023.08.24	CROWN LINK® THE LEADING MANUFACTURER OF FPC & FFC CONNECTOR, HOUSING AND DOME.				
CHECK BY/審查 VIVIAN	DATE/日期 2023.08.24	PRODUCT NAME/品名 1.50mm PITCH SMT WAFER				
APPROVED BY/核准 JASON	DATE/日期 2023.08.24	PART NO./料號 CL1502S-XXVNH	PIN NUMBER/針數 02-20 PIN	SCALE/比例 5:1	SIZE/圖號 A4	UNIT/單位 mm
PACKAGE/包裝	1,000PCS/REEL	MATERIAL/材質 BRASS TIN PA6T UL94V-0	COLOR/顏色 NATURAL	ANGLE OF VIEW/視角 	SHEET/頁碼 1 OF 1	REV/版本 A