

4

3

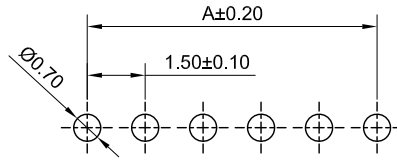
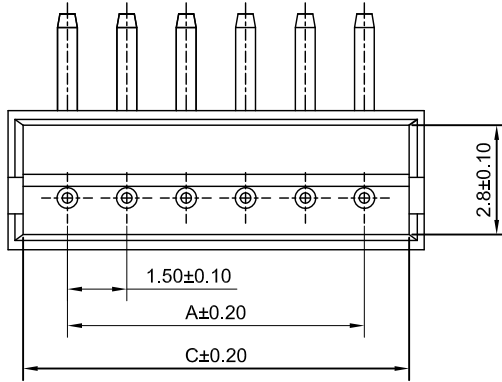
2

1

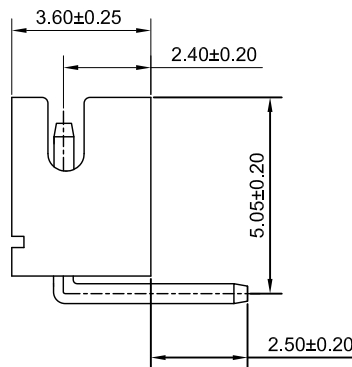
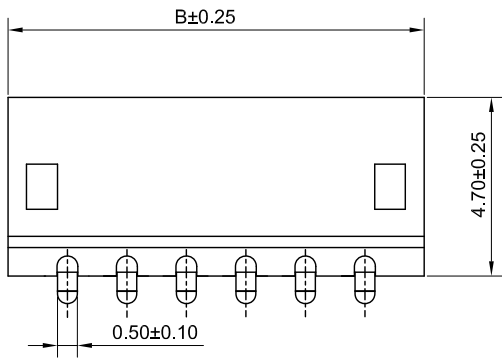
CROWN LINK[®]

專業薄膜開關連接器第一品牌

ROHS



P.C.B LAYOUT



- ◆ FOR 1502H HOUSING
- ◆ SPECIFICATIONS
 - VOLTAGE RATING: 100V AC, DC
 - CURRENT RATING: 1A AC, DC
 - CONTACT RESISTANCE: 20 mΩ MAX
 - INSULATION RESISTANCE: 500 MΩ MIN
 - WITHSTANDING VOLTAGE: 500V AC / MINUTE
- ◆ ENVIRONMENTAL
 - TEMPERATURE RANGE: -25°C ~ +85°C
- ◆ PART NO.
 - CL1502 R - XX N H
 - ANGLE 90°
 - MOLD NO.
 - NO LOGO
 - CIRCUITS NUMBER 02 TO 20
 - SERIES NO.

Part NO.	Dimensions			Part NO.	Dimensions		
	A	B	C		A	B	C
02	1.50	4.50	3.70	12	16.50	19.50	18.70
03	3.00	6.00	5.20	13	18.00	21.00	20.20
04	4.50	7.50	6.70	14	19.50	22.50	21.70
05	6.00	9.00	8.20	15	21.00	24.00	23.20
06	7.50	10.50	9.70	16	22.50	25.50	24.70
07	9.00	12.00	11.20	17	24.00	27.00	26.20
08	10.50	13.50	12.70	18	25.50	28.50	27.70
09	12.00	15.00	14.20	19	27.00	30.00	29.20
10	13.50	16.50	15.70	20	28.50	31.50	30.70
11	15.00	18.00	17.20				

REV/版本	MODIFIED CONTENT /變更內容	DRAWN/繪圖	DATE/日期	TOLERANCE RANGE/公差範圍
				X, ±0.50 X," ±3" X ±0.30 X" ±2" .XX ±0.20 .XX" ±1" .XXX ±0.10 .XXX" ±0.5"

DRAWN/繪圖	DATE/日期	CROWN LINK[®] THE LEADING MANUFACTURER OF FPC & FFC CONNECTOR, HOUSING AND DOME.				
JUDY	2023.08.24	PRODUCT NAME/品名 1.50mm PITCH 90° WAFER				
CHECK BY/審查	DATE/日期	PART NO./料號	PIN NUMBER/針數	SCALE/比例	SIZE/圖號	UNIT/單位
VIVIAN	2023.08.24	CL1502R-XXNH	02-20PIN	3:1	A4	mm
APPROVED BY/核准	DATE/日期	MATERIAL/材質	COLOR/顏色	ANGLE OF VIEW/視角	SHEET/頁碼	REV/版本
WENDY	2023.08.24	BRASS TIN	NATURAL	30°	1 OF 1	C
PACKAGE/包裝	2,000PCS/BAG	PA46 UL94V-0				