

4

3

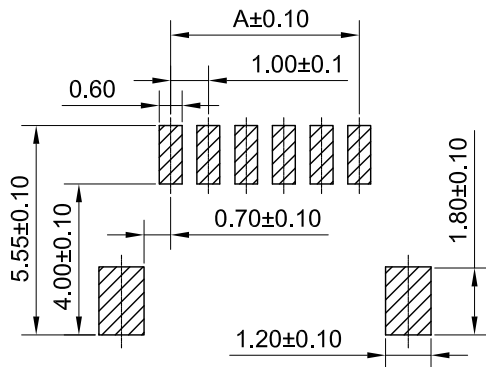
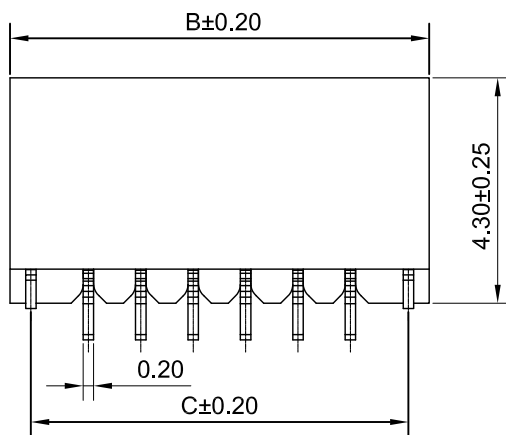
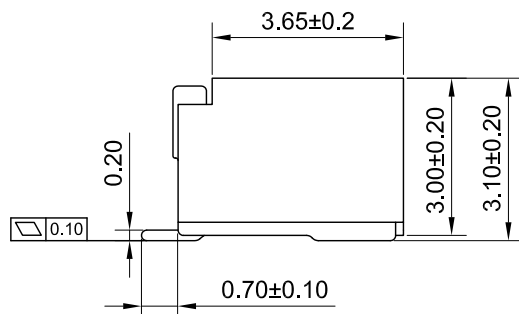
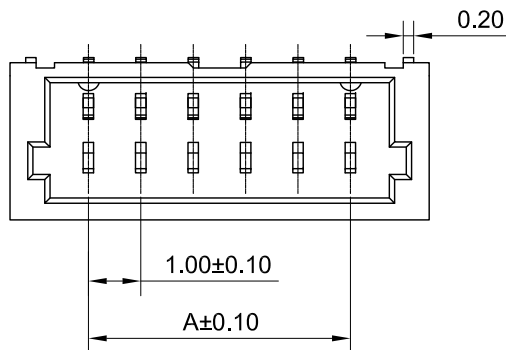
2

1

CROWN LINK®

專業薄膜開關連接器第一品牌

ROHS



P.C.B LAYOUT

- ◆ FOR 1001H HOUSING
- ◆ SPECIFICATIONS
 - VOLTAGE RATING: 50V AC,DC
 - CURRENT RATING: 1A AC,DC
 - CONTACT RESISTANCE: 20 mΩ MAX
 - INSULATION RESISTANCE: 100 MΩ MIN
 - WITHSTANDING VOLTAGE: 500V AC / MINUTE

- ◆ ENVIRONMENTAL
 - TEMPERATURE RANGE: -25°C~+85°C

◆ PART NO.

CL1001 S - XX W N H

SMT MOLD NO.
NO LOGO
LYING DOWN

SERIES NO. CIRCUITS NUMBER 02 TO 20

Part NO.	Dimensions			Part NO.	Dimensions		
	A	B	C		A	B	C
02	1.00	4.00	3.20	12	11.00	14.00	13.20
03	2.00	5.00	4.20	13	12.00	15.00	14.20
04	3.00	6.00	5.20	14	13.00	16.00	15.20
05	4.00	7.00	6.20	15	14.00	17.00	16.20
06	5.00	8.00	7.20	16	15.00	18.00	17.20
07	6.00	9.00	8.20	17	16.00	19.00	18.20
08	7.00	10.00	9.20	18	17.00	20.00	19.20
09	8.00	11.00	10.20	19	18.00	21.00	20.20
10	9.00	12.00	11.20	20	19.00	22.00	21.20
11	10.00	13.00	12.20				

REV/版本	MODIFIED CONTENT /變更內容	DRAWN/繪圖	DATE/日期

X. ±0.50 X.° ±2°
 .X ±0.30 .X.° ±1°
 .XX ±0.20 .XX.° ±0.5°
 .XXX ±0.10 .XXX.° ±0.5°

TOLERANCE RANGE/公差範圍

DRAWN/繪圖 JUDY	DATE/日期 2023.08.21	CROWN LINK® THE LEADING MANUFACTURER OF FPC & FFC CONNECTOR, HOUSING AND DOME.				
CHECK BY/審查 VIVIAN	DATE/日期 2023.08.21	PRODUCT NAME/品名 1.00mm PITCH SMT WAFER				
APPROVED BY/核准 JASON	DATE/日期 2023.08.21	PART NO./料號 CL1001S-XXWNH	PIN NUMBER/針數 02-20 PIN	SCALE/比例 5:1	SIZE/圖號 A4	UNIT/單位 mm
PACKAGE/包裝	1,500PCS/REEL	MATERIAL/材質 PHOSPHORIC BRONZE TIN LCP UL 94V-0	COLOR/顏色 NATURAL	ANGLE OF VIEW/視角 	SHEET/頁碼 1 OF 1	REV/版本 A