

4

3

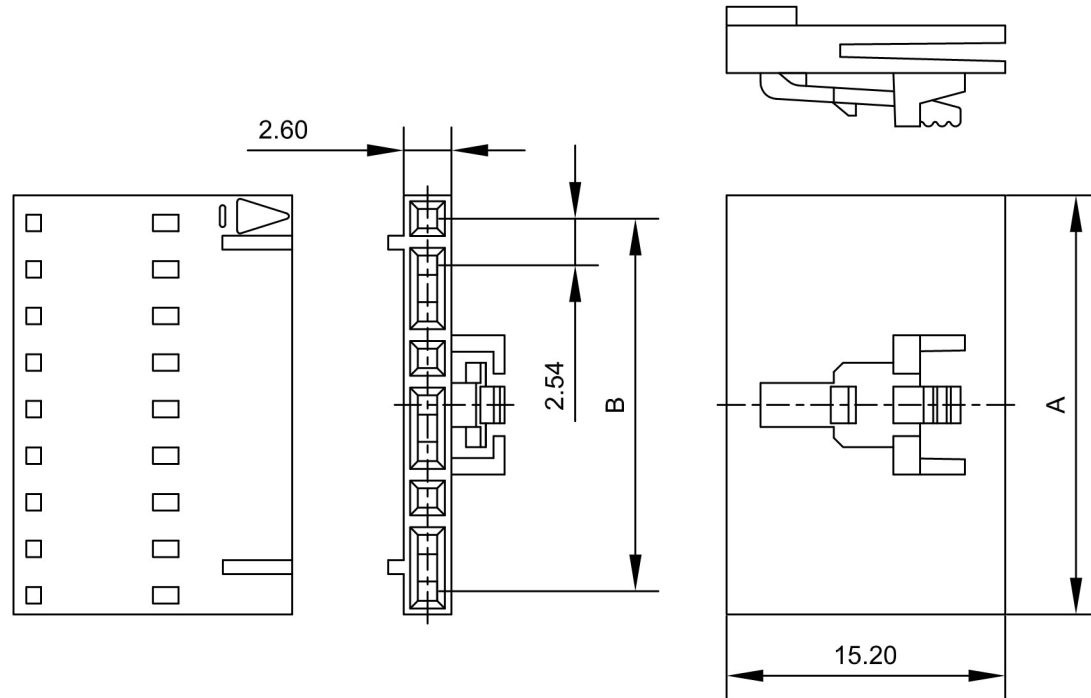
2

1

CROWN LINK[®]

專業薄膜開關連接器第一品牌

ROHS



- ◆ FOR 2804 SERIES CONNECTOR
 - ◆ SPECIFICATIONS
 - VOLTAGE RATING: 250 VAC RMS
 - CURRENT RATING: 2A
 - INSULATION RESISTANCE: 500 MΩ MIN
 - ◆ ENVIRONMENTAL
 - TEMPERATURE RANGE: -25°C~+85°C
 - ◆ DIMENSION: N=CIRCUIT NO.
 - A=2.54*N
 - B=2.54*(N-1)
 - ◆ PART NO.
 - 2804HLB - XXN
- SERIES NO. NO LOGO.
- CIRCUITS NUMBER 04 TO 26

B	PIN NUMBER CHANGES AND TOLERANCES CHANGE	TRACY	2016.01.14	X.X ±0.25 X.XX ±0.20 ANG. ±2°
A	FIRST DRAWING	TRACY	2015.12.22	
REV/版本	MODIFIED CONTENT /變更內容	DRAWN/繪圖	DATE/日期	TOLERANCE RANGE/公差範圍

DRAWN/繪圖	DATE/日期	CROWN LINK[®] THE LEADING MANUFACTURER OF FPC & FFC CONNECTOR, HOUSING AND DOME.				
MARY	2017.01.14	PRODUCT NAME/品名				
CHECK BY/審查	DATE/日期	2.54mm PITCH HOUSING FOR FFC/FPC				
VIVIAN	2017.01.14	PART NO./料號	PIN NUMBER/針數	SCALE/比例	SIZE/圖號	UNIT/單位
APPROVED BY/核准	DATE/日期	2804HLB - XXN	04 -26 PIN	2.5:1	A4	mm
JASON	2017.01.14	MATERIAL/材質	COLOR/顏色	ANGLE OF VIEW/視角	SHEET/頁碼	REV/版本
PACKAGE/包裝	04-06PIN 1,000PCS/BAG 07-13PIN 500PCS/BAG 14-26PIN 250PCS/BAG	NY66 6410G3	BLACK COLOR		1 OF 1	B